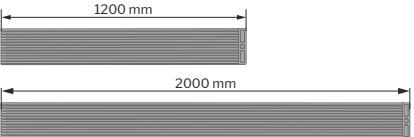
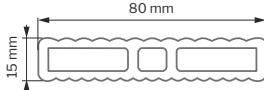
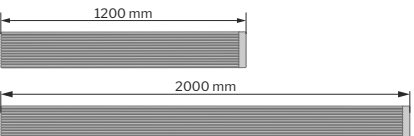
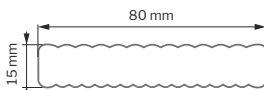
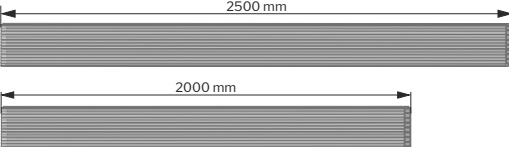
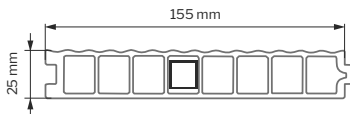
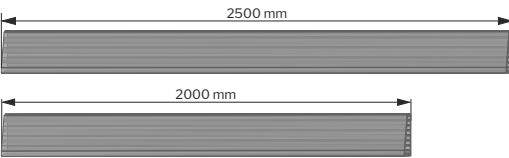
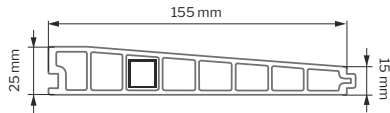
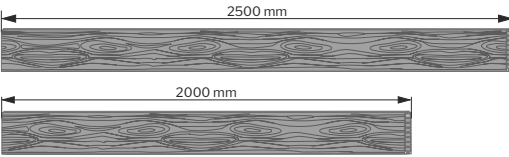
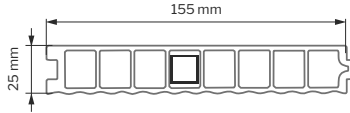
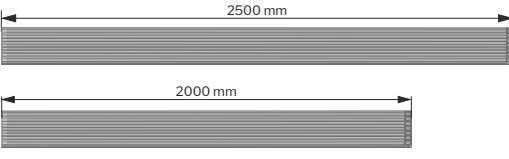
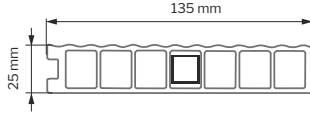
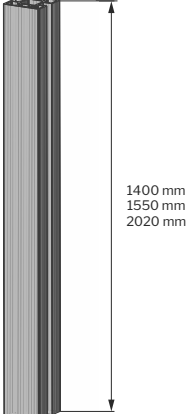
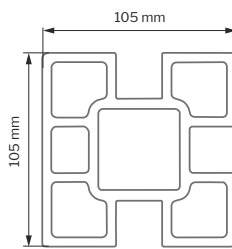
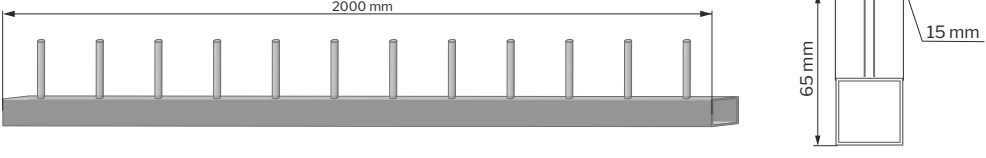





# HARTIKA FENCES SYSTEM ELEMENTS

<p><b>A</b> Fencing board <b>HARTIKA PARKAN HOME</b> <b>HP-05-12-X*</b></p> 	<p>Cross section</p> 
<p><b>B</b> Fencing board <b>HARTIKA PARKAN HOME SOLID</b> <b>HPS-05-12-X*</b></p> 	<p>Cross section (solid profile)</p> 
<p><b>C</b> Fencing board <b>HARTIKA PARKAN KLASS</b> <b>HP-06-2-X*</b></p> 	<p>Cross section</p> 
<p><b>D</b> Fencing board <b>HARTIKA PARKAN PRO</b> <b>HP-07-2-X*</b></p> 	<p>Cross section</p> 
<p><b>E</b> Fencing board <b>HARTIKA PARKAN LIGNO</b> <b>HP-06-2-X*</b></p> 	<p>Cross section</p> 
<p><b>F</b> Fencing board <b>HARTIKA PARKAN BASE</b> <b>HP-09-2-X*</b></p> 	<p>Cross section</p> 
<p><b>G</b> System post <b>HP-08-2-X*</b></p> 	<p>Cross section</p> 

<b>H</b> Construction strip for openwork filling <b>HLK-10-2</b>	Cross section 	
<b>I</b> „U” Strip <b>HLK-09-2-X*</b>	Cross section 	
<b>J</b> Distance and cover strip <b>HLK-10-2-X*</b>	Cross section 	
<b>K</b> Mounting base <b>HSM-12</b>	<b>L</b> Post cap 130 <b>HPA-130-11-X*</b>	<b>M</b> Post cap 90 <b>HPB-90-11-X*</b>
<b>N</b> PVC Glue 		

## INSTALLATION TOOLS:

- cutting saw
- rubber hammer
- measure
- pencil
- level
- extension cord
- drill
- screws
- farmer screws
- drill bit
- anchors
- key
- glue for hard PVC
- electric screwdriver

## COLORS OF HARTIKA PARKAN SYSTEM ELEMENTS

**Note:** The colours of the individual components of the Hartika Parkan system may differ. This is not a product defect, but a colour impression which is a natural consequence of the surface treatment carried out in the production process. Each element of the system is brushed during production. During the brushing process, the surface acquires an individual satin texture, which may reflect sunlight differently. These perceptible differences will progressively fade as they are exposed to light and atmospheric conditions.



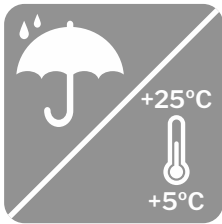
# INSTALLATION OF FENCING SYSTEMS

## HARTIKA PARKAN - GENERAL PRINCIPLES

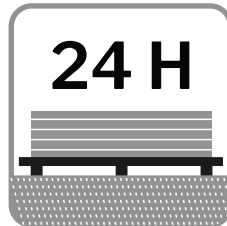
The Hartika fencing system allows you to create a durable and aesthetically pleasing fence that maintains its parameters for a long time. The durability of the fence is ensured by Hartika's original PARKAN profile system consisting of posts, fence profiles and finishing elements.

The assembly must be carried out with special care and follow the instructions. Please note The fence is assembled with special care and following the instructions in the manual temperature. Hartika composite wood is a material which is subject to thermal expansion phenomena, it is necessary to assume an expansion of the elements at a level of 1-2 mm / 1m when the temperature changes from winter to summer. Hartika fencing can be installed either on existing posts (e.g. after dismantling the mesh), on existing foundations, existing brick posts, or as a new fence. new fence. Each of these installation methods is described in the instructions.

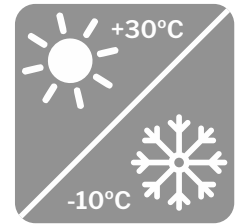
Please refer to the pictograms below for a smooth installation process:



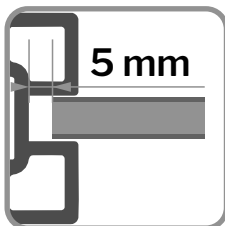
INSTALLATION CONDITIONS, NO RAIN,  
OUTDOOR TEMPERATURE  
MIN. +50C - MAX. 300C



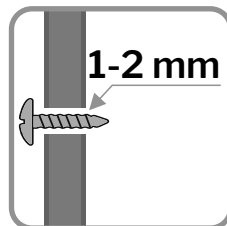
MATERIAL SEASONED ON INSTALLATION  
SITE FOR A PERIOD OF  
AT LEAST 24 HOURS



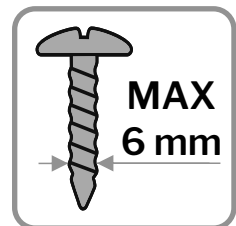
VARIATION IN BOARD LENGTH  
DEPENDING ON TEMPERATURE  
2mm / 1m



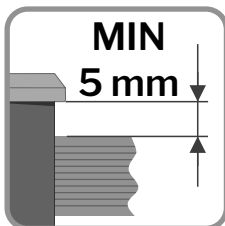
DILATATION DISTANCE  
BETWEEN POST  
AND INSERTED BOARD - 5 mm



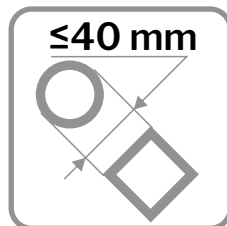
THE DIAMETER OF THE MOUNTING HOLE  
IN THE HOME PANEL MUST BE LARGER  
FROM THE DIAMETER OF THE BOLT BY 1-2 mm.



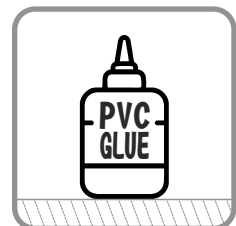
MAXIMUM SCREW OR SCREW  
DIAMETER FOR FIXING HOME  
BOARD IS 6 mm



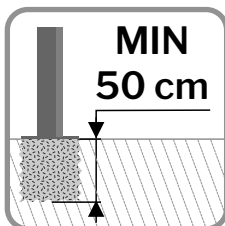
DISTANCE OF THE EDGE  
OF THE CAP FROM THE TOP EDGE  
OF THE LAST BOARD min. 5mm



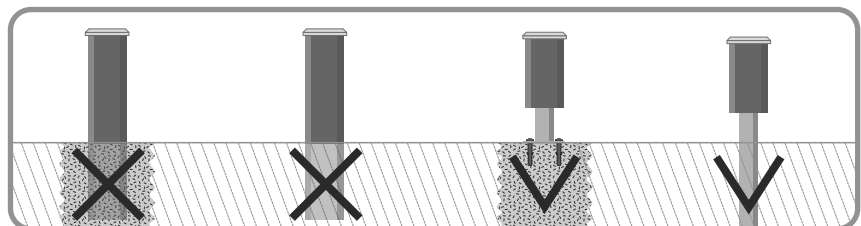
EXTERNAL DIMENSION OF THE  
METAL PROFILE ON WHICH  
THE PARKAN SHALL BE FIXED POST ≤40 mm



USE PVC GLUE  
FOR GLUING



KEEP THE APPROPRIATE DEPTH  
OF THE CONCRETE ELEMENTS  
FIXING THE SPAN, NOT LESS  
THAN 50 cm IN THE GROUND



THE WPC SYSTEM POSTS MAY NOT BE ENTRENCHED IN THE GROUND, CONCRETE HAS A DIFFERENT THERMAL EXPANSION THAN WPC. THIS MAY LEAD TO THE DESTRUCTION OF THE POST EMBEDDED IN CONCRETE. FOR FIXING THE POSTS, A STEEL MOUNTING FOOT OR A 40X40X2 MM CLOSED STEEL PROFILE IS TO BE USED, AND FOR SPAN HEIGHTS OF 2000 MM, WE RECOMMEND A 40X40X3 MM STEEL PROFILE EMBEDDED IN CONCRETE OR ENTRENCHED IN THE GROUND ACCORDING TO THE REQUIREMENTS OF INSTALLATION INSTRUCTIONS.

Fence boards are offered in commercial lengths available from the manufacturer:

- PARKAN HOME 1200mm and 2000mm
- PARKAN KLASS, PRO, LIGNO, BASE 2000 mm and 2500 mm

Each element of the system can be shortened by cutting it to the required length. PARKAN KLASS and PRO boards have a reinforcing element inserted, this element must also be cut to the required length.

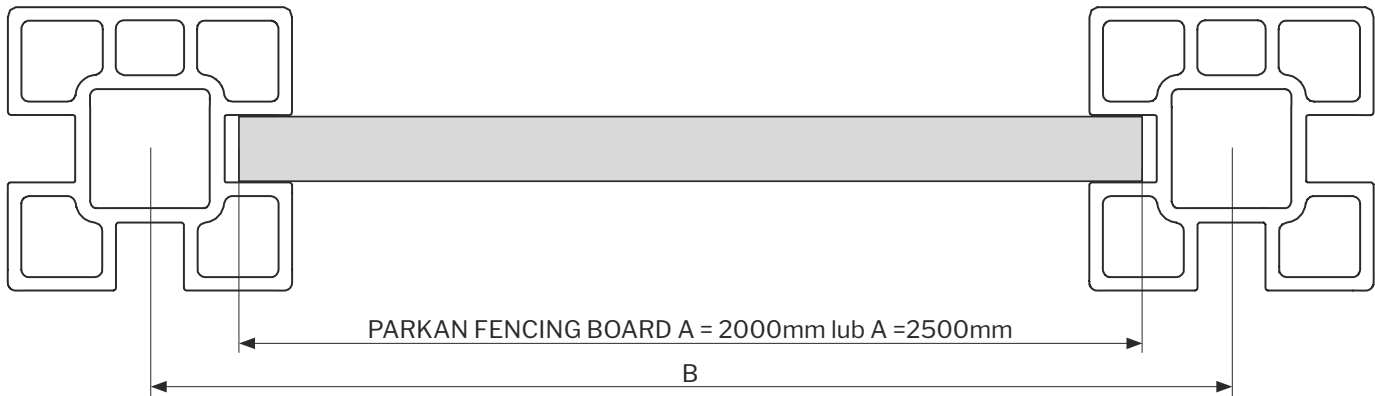
It is possible to order individual lengths of PARKAN boards, but we do not recommend making spans using boards longer than 2500 mm for PARKAN KLASS and PRO.

For PARKAN HOME boards, the recommended length for fencing applications is no more than 2000 mm.

For full spans with a height of 2020 mm, we recommend using a closed steel profile with dimensions of 40x40x3 mm directly placed in the ground at an appropriate depth as the mounting foot.



Depending on the currently used or future post spacing, the principle of determining the length of the Hartika PARKAN profile should be used, depending on the distance between the posts, as shown in the drawing.

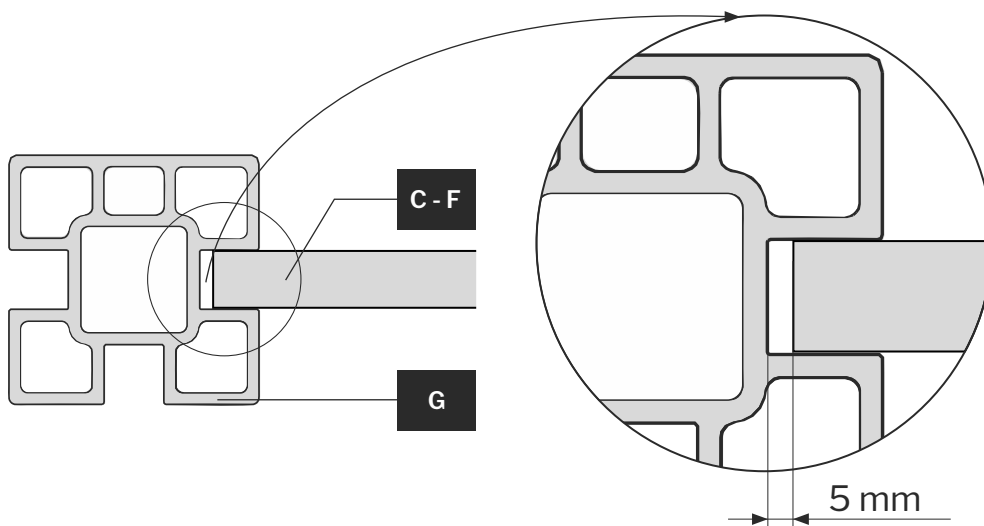


Depending on the currently used or future spacing of the posts, the principle of determining the length of the Hartika PARKAN profile should be used, depending on the distance between the posts, as shown in the drawing.

The distance B measured in the axis of the post between the posts, respectively, for a 2000 mm long board is 2060-2070 mm and for a 2500 mm board is 2560-2570 mm.

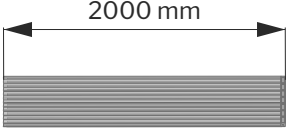
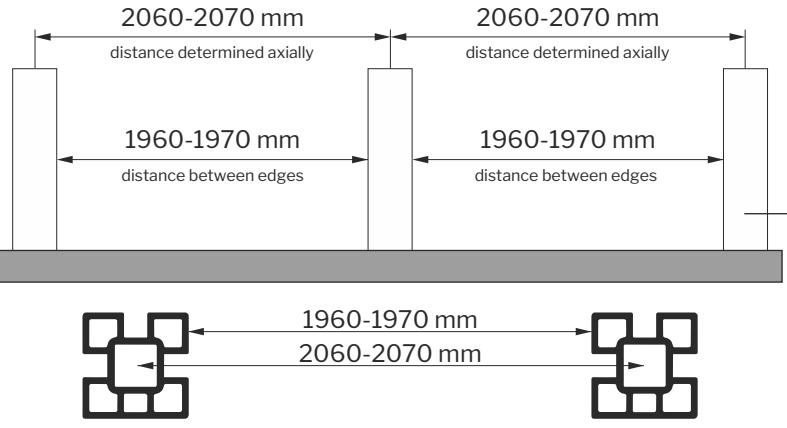
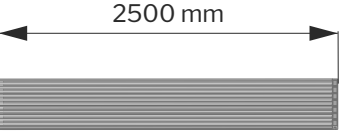
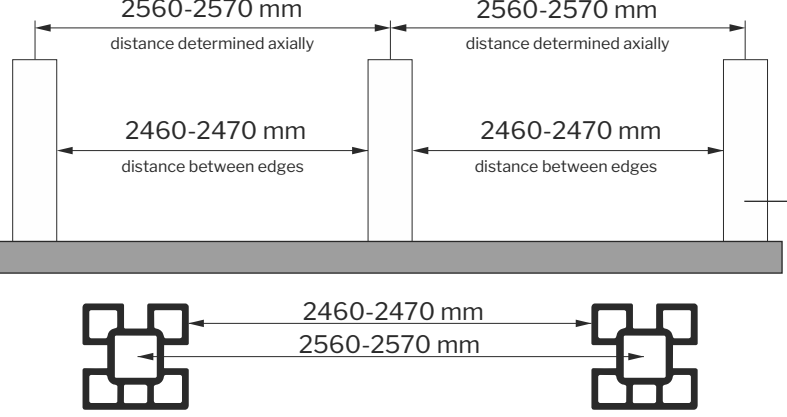
To calculate the required length of the A board for the existing post spacing, measure the current post spacing from the axis of the posts and then subtract 70 mm to obtain the required length of the PARKAN board. The expansion gap is 5 mm on each side and has already been taken into account in the calculations.

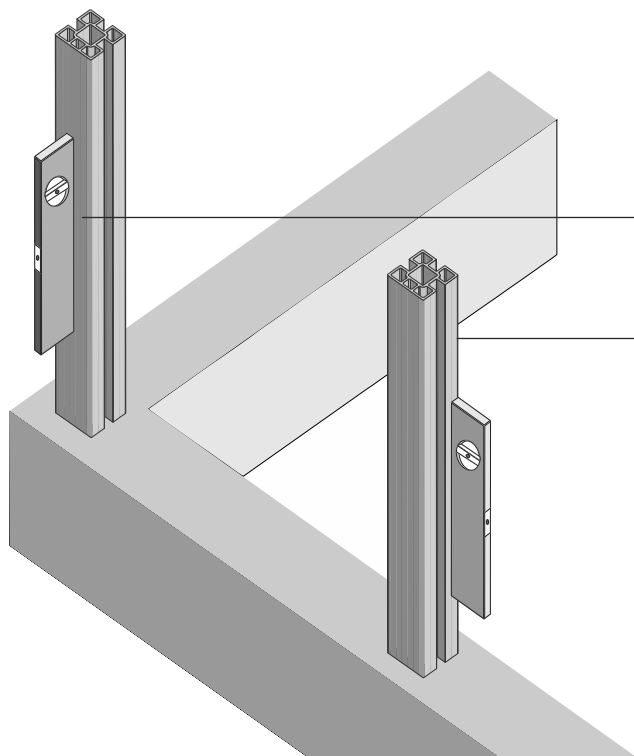
The maximum board length is 2500 mm for PARKAN KLASS, PRO, LIGNO and BASE boards.



The board placed in the post slot must have expansion gap at the length of 5 mm on each side.

Table 1: Spacing of system posts for different board lengths.

Board length	PARKAN system posts spacing
 <p>2000 mm</p>	 <p>2060-2070 mm distance determined axially</p> <p>2060-2070 mm distance determined axially</p> <p>1960-1970 mm distance between edges</p> <p>1960-1970 mm distance between edges</p> <p>1960-1970 mm 2060-2070 mm</p> <p>G</p>
 <p>2500 mm</p>	 <p>2560-2570 mm distance determined axially</p> <p>2560-2570 mm distance determined axially</p> <p>2460-2470 mm distance between edges</p> <p>2460-2470 mm distance between edges</p> <p>2460-2470 mm 2560-2570 mm</p> <p>G</p>



G

G



**Use a spirit level**

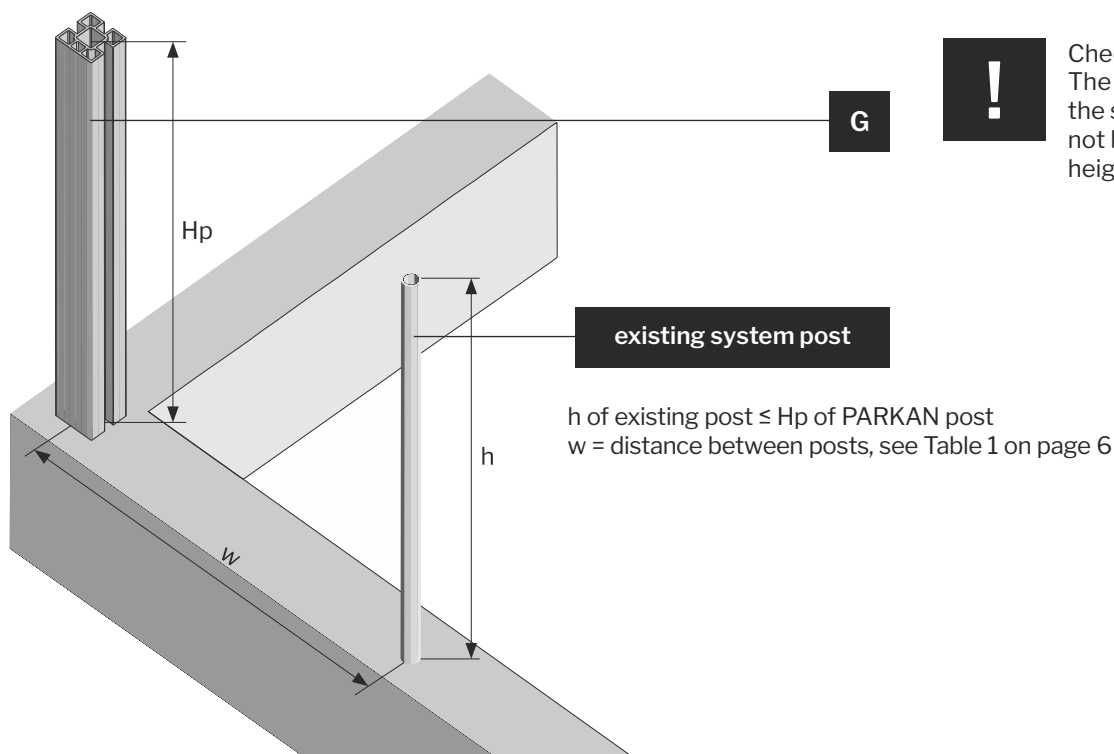
The Hartika PARKAN system post must be mounted vertically! Use a level.

Hartika PARKAN system fences can be used in a number of situations - both for building a fence from scratch as well as using the posts in an old fence. Fences can be installed on an existing concrete foundation or with the use of foundation blocks.

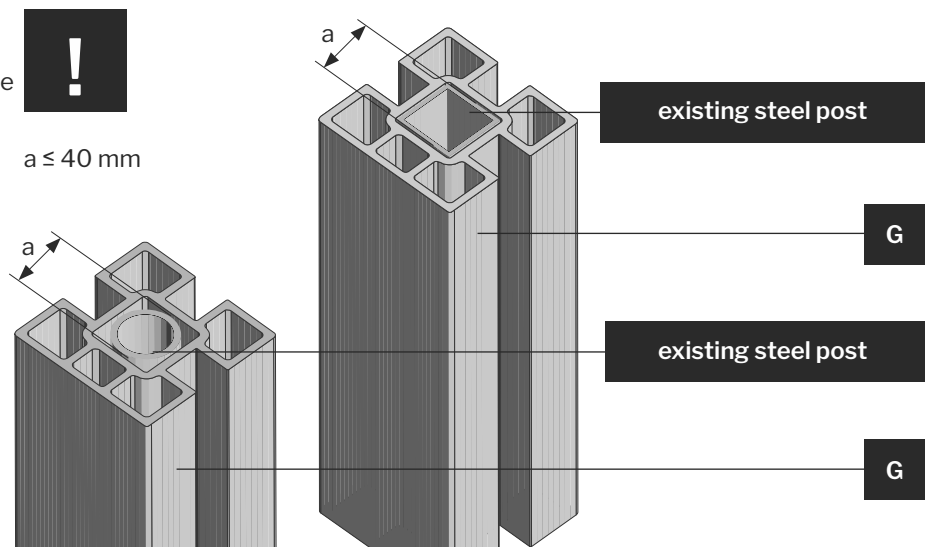
# INSTALLATION OF HARTIKA PARKAN FENCE ON THE EXISTING POSTS OF THE OLD FENCE

## Sequence of operations:

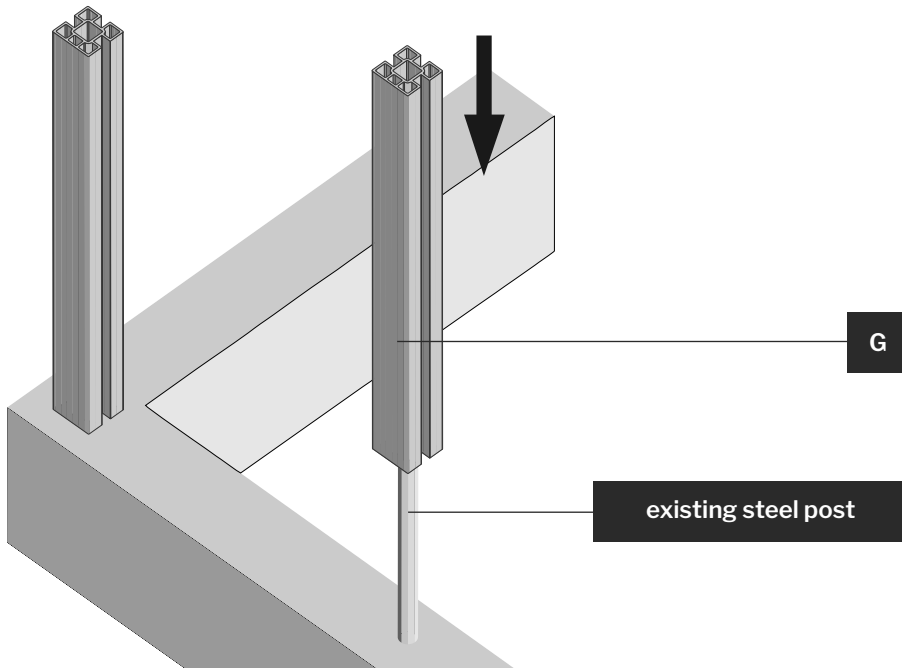
1. Before starting work, check what is the outside diameter of the existing metal posts/profiles, if it is not wider than 40 mm you can continue the work. If not, you need to remove the existing posts and use system installation feet F.
2. Remove the old spans or netting from the fence.
3. Remove the attachments of the spans (protruding screws, metal sheets, fixing eyes).
4. Check the condition of the posts, if necessary, clean from rust and protect with anti-corrosion paint.
5. Slide the Hartika PARKAN system post from the top onto the existing steel post.
6. If the clearance between the old post and the PARKAN post is greater than 5 mm, you can use mounting foam to stabilization. Before using mounting foam, stabilize the post, for example, with plastic wedges of the appropriate thickness, usually it is 1-2 mm.
7. Do not screw the system posts with the steel mounting foot, it will damage the system post.



Check the cross sections of the existing posts. Hartika PARKAN posts can be set on top of the existing posts of an old fence if the diameter dimension of the post or the side of its cross-section is less than or equal to 40 mm.



Placing a HARTIKA PARKAN post on an existing supporting element.

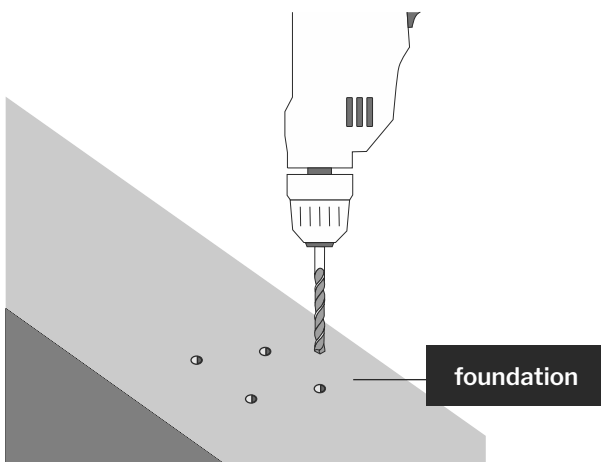


## INSTALLATION OF HARTIKA PARKAN FENCE ON NEW OR EXISTING CONCRETE FOUNDATION

### Sequence of operations:

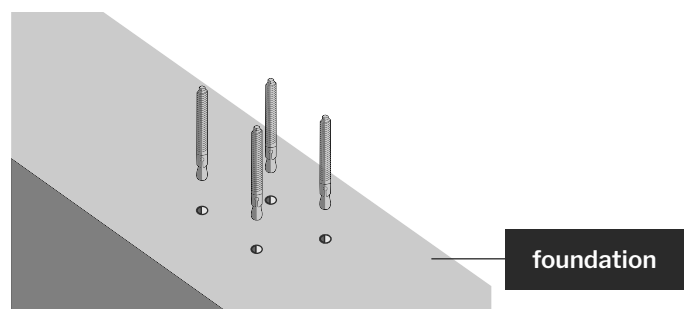
1. Check the quality of the foundation (condition of the concrete); its level, evenness of the surface, protect any cracks.
2. Check the width of the foundation; the minimum width of the foundation must be 200 mm.
3. Determine the distance between the PARKAN posts. 4.
4. Use the element - PARKAN mounting foot, fixing it to the concrete with M10 steel screws or steel anchors: M10x100, M10x110, M10x120 or use nylon anchors.
5. Using your own feet, remember the height of the footing post and the mounting holes  $\varnothing$  12 mm.
6. If you consider the internal gap to be too large  $>$  5 mm, you can use mounting foam. PARKAN posts must be installed vertically. Use a spirit level.

### 1 Drilling the foundation



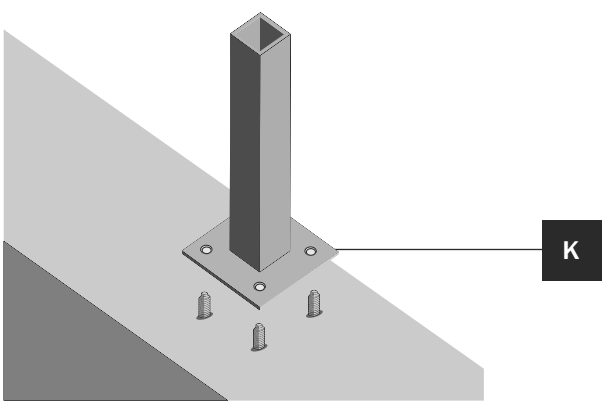
The foundation must meet the requirements of the building art for this type of installation - especially with regard to ensuring adequate anchorage capacity!

### 2 Placing anchors in the foundation

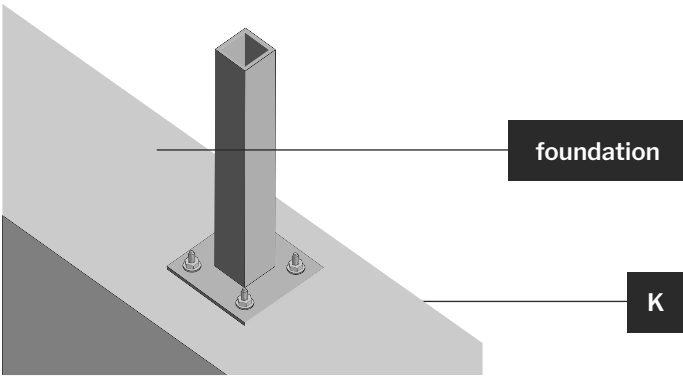




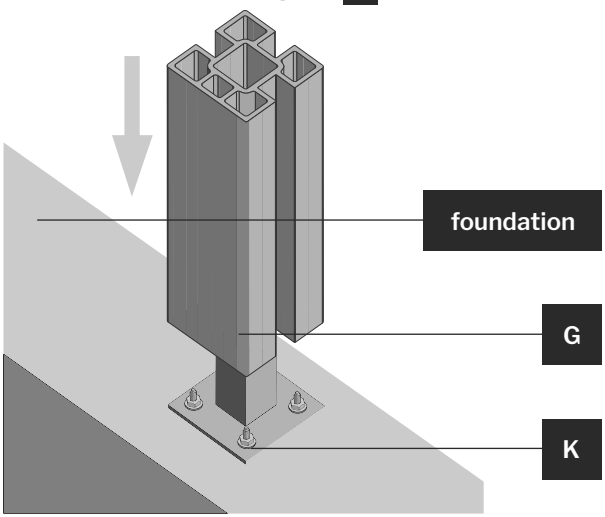
3 Placing the mounting foot **K** on the anchors



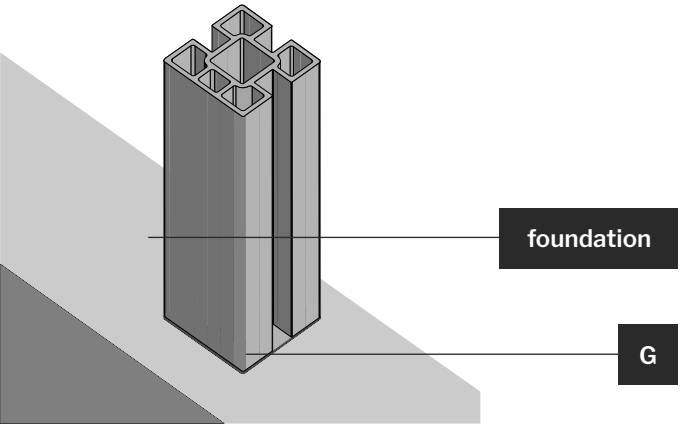
4 Screwing the anchor to the foundation



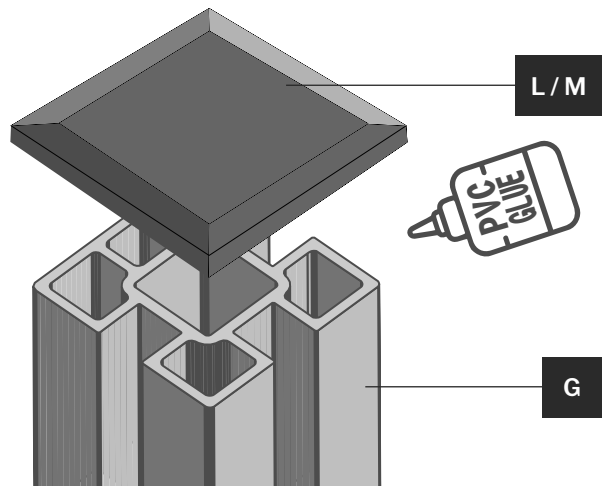
5 Placing the post **G** on the mounting foot **K**



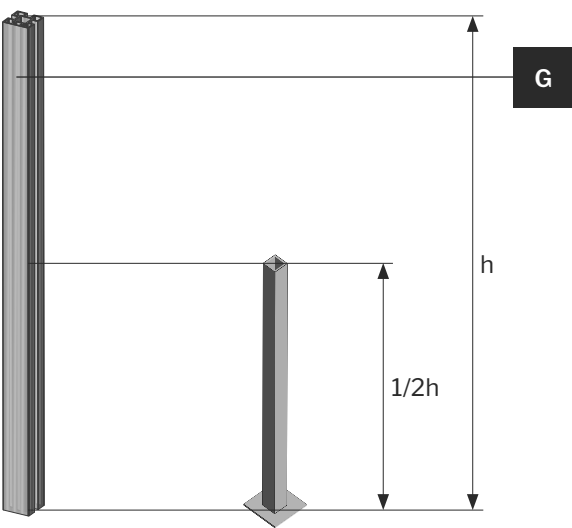
6



7 Attach the cap **L/M** to the post **G** with glue

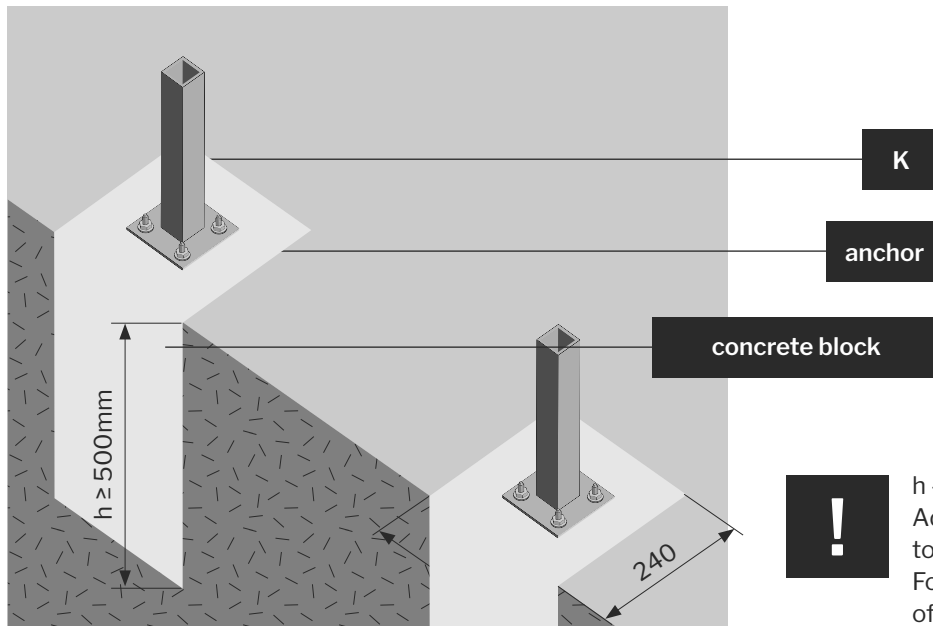


! The height of the foot should be at least 1/2 the height of the post **G**



# INSTALLATION OF HARTIKA PARKAN FENCING SYSTEM ON CONCRETE FOUNDATION BLOCKS

Using the Hartika system mounting feet, you can install them on poured concrete or precast foundation blocks.



For foot mounting, use bolts steel bolts or M10 x 120 steel anchors, M10 nylon anchors are also permitted.



h - foundation depth  
Adjust the dimension of the foundation depth - h to the local ground frost conditions. Follow the principle of minimum depth of the foundation:  $h \geq 500\text{ mm}$

To ensure that the foundations do not move in friable soils / loam, silt, organic soils, clay gravel, sandy loam, we must pour them at least to the depth of the soil freezing zone - hz. The depth of the ground frost zone depends on the local conditions. If in doubt, contact your local engineering office or building association to find out what foundation depth is suitable for your specific installation conditions.

Being sure that the ground is sufficiently stable, a foundation depth of more than 500 mm in the ground is sufficient and the height of the foundation above the ground surface is an individual decision.

Please remember that solid fences are exposed to the force of the wind during storms and function like a sail. The foundation depth for solid fencing, especially in areas exposed to gusty winds, should be determined individually and with appropriate care.



**ATTENTION:** Solid fences are particularly exposed to gusts of wind; when installing a solid span, special care must be taken to fix the posts to the foundations. The manufacturer is not responsible for damage to the spans caused by forces of nature.

## INSTALLATION OF THE HARTIKA PARKAN HOME FENCING SYSTEM ON EXISTING CONCRETE FENCE POSTS

1. The PARKAN HOME and HOME SOLID rail should be mounted with a farmers screw 4.8 x 35 mm, 4.8 x 60 mm or another screw or bolt with a diameter of no more than 6 mm. The rail should be fixed to an aluminium or steel profile screwed to the existing fence posts.



**The PARKAN HOME / HOME SOLID profile must be drilled with a metal drill with a diameter 1-2 mm larger than the screw. This provides the expansion gap for the length of the board to change under the influence of temperature. This prevents the rail from bending. Tighten the profile carefully to allow for thermal expansion of the boards.**

2. The position of the screw is shown in the drawing (fig. 01).
3. The screw must be screwed in sensitively so as not to damage the PARKAN HOME boards.



Instead of a farmers screws another stainless steel screw with a diameter of < 6 mm may be used

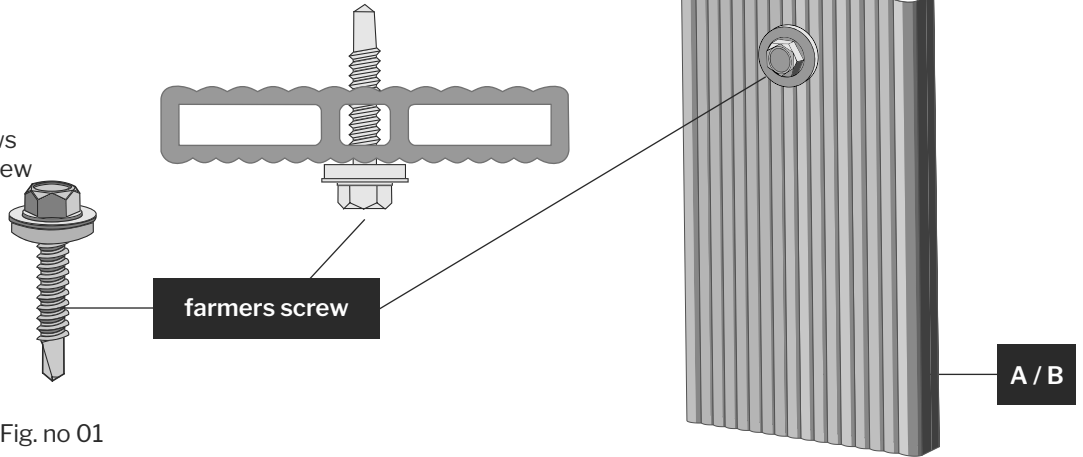
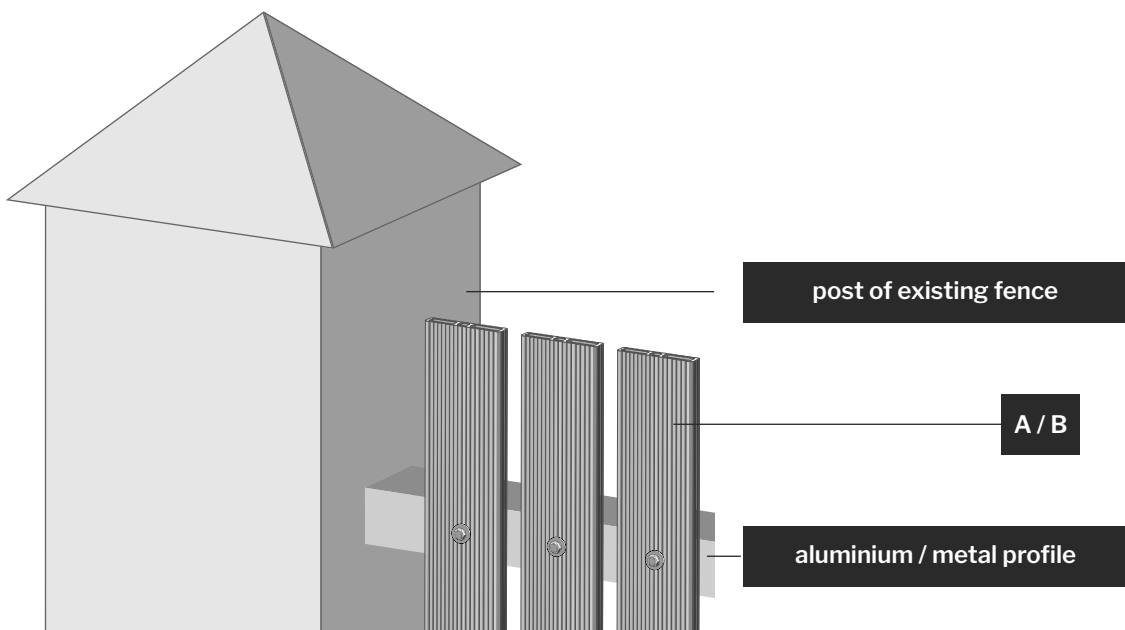
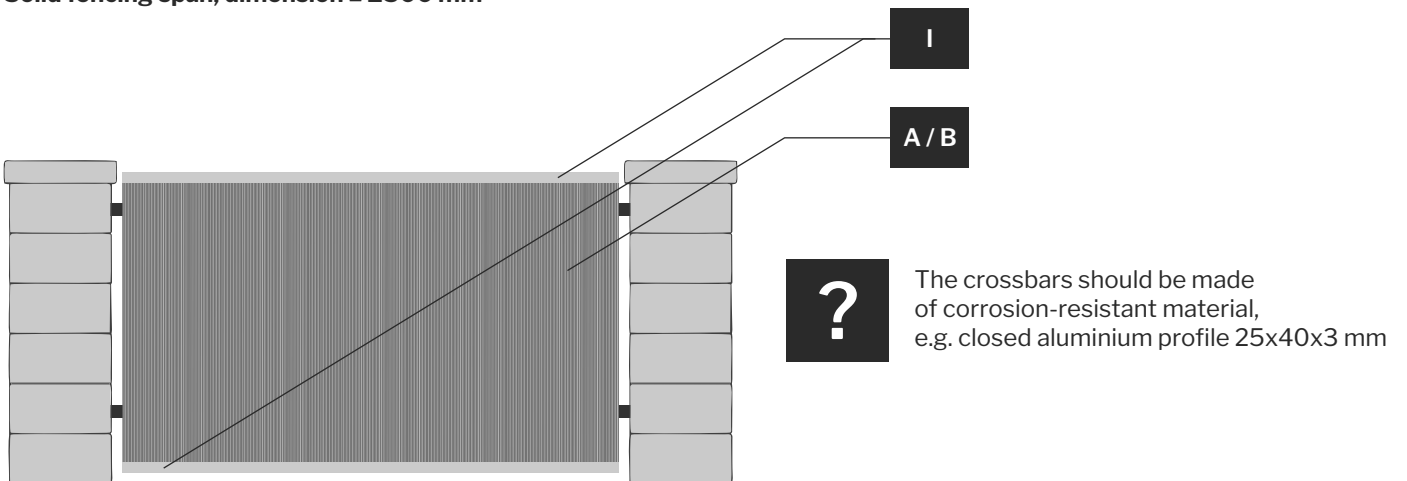


Fig. no 01

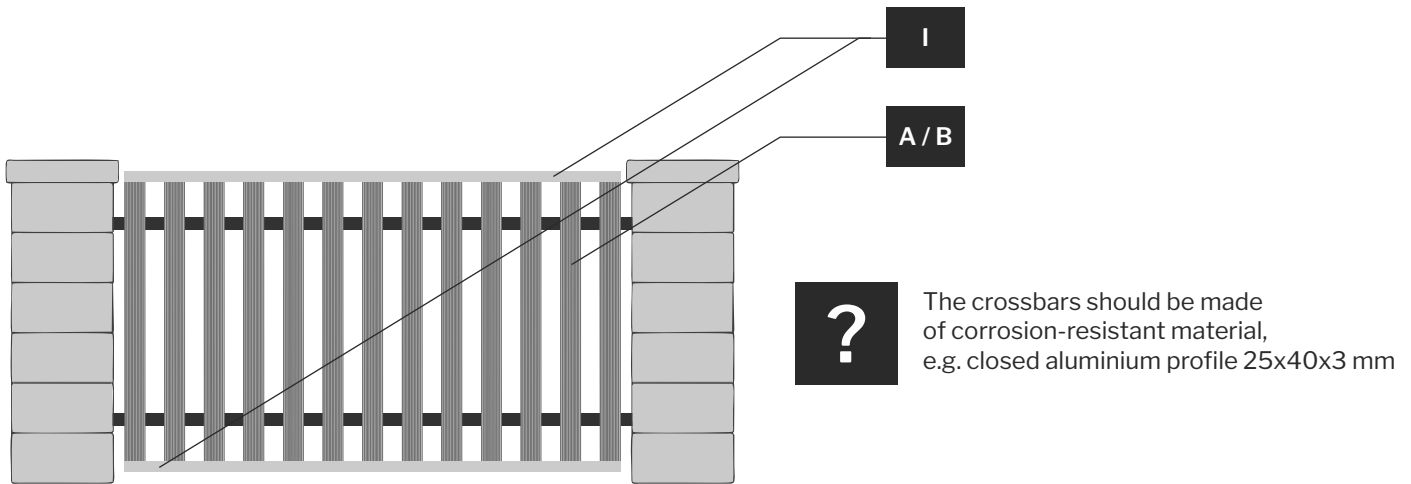


The diameter of the mounting hole in the HOME / HOME SOLID profile must be 1-2 mm larger than the screw or bolt.

**Solid fencing span, dimension ≤ 2500 mm**



Openwork fencing span | posts spacing  $\leq 2500$  mm



## INSTALLATION OF THE HARTIKA PARKAN HOME FENCING SYSTEM ON PARKAN SYSTEM POSTS

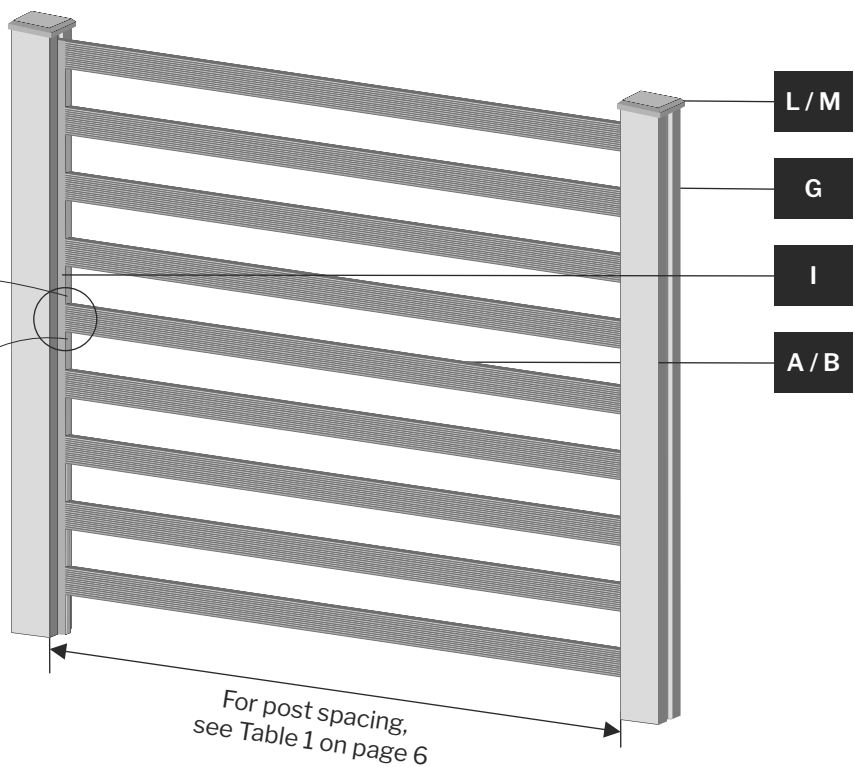
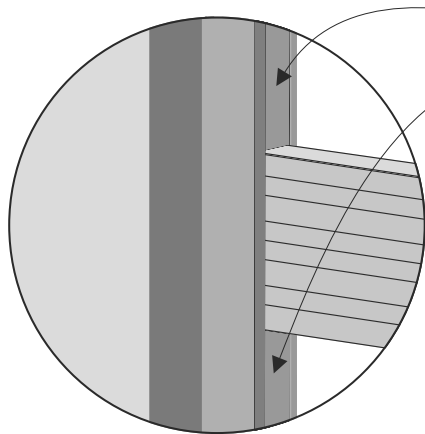
HARTIKA PARKAN HOME system span, length between the posts  $\leq 2115$  mm

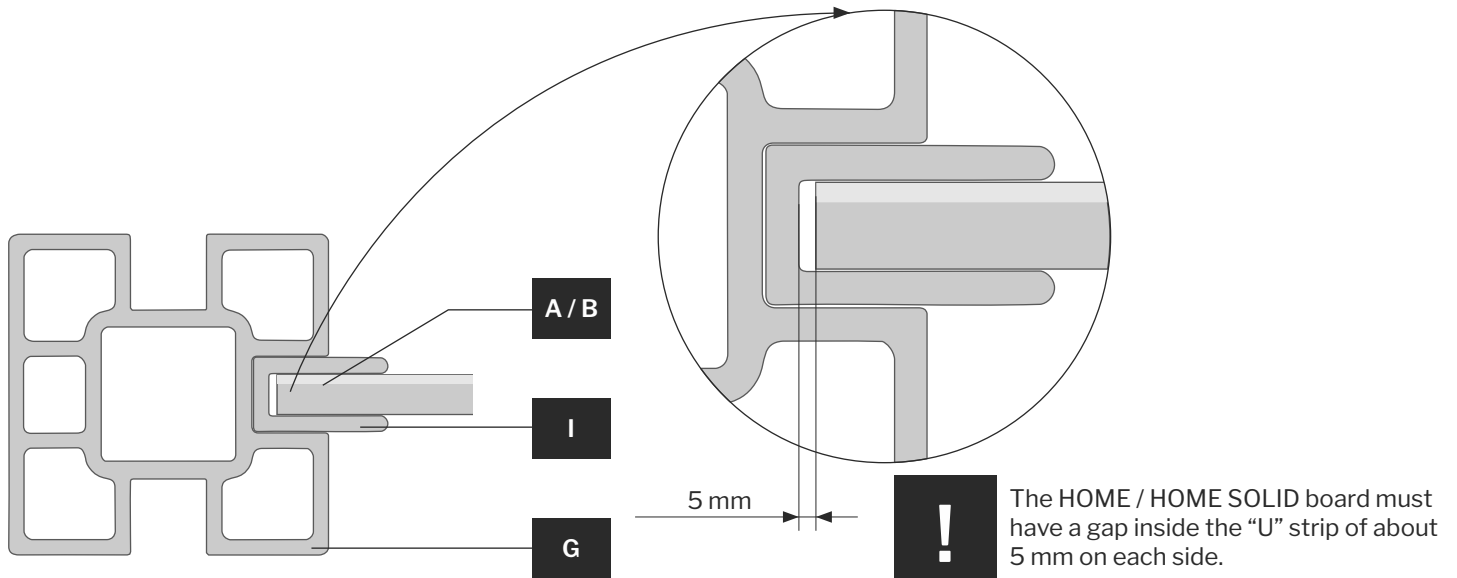
System elements:

1. Hartika PARKAN system posts **G**
2. „U” Strips **I**
3. PARKAN HOME **A** or HOME SOLID **B** fencing boards
4. Post caps **L/M**

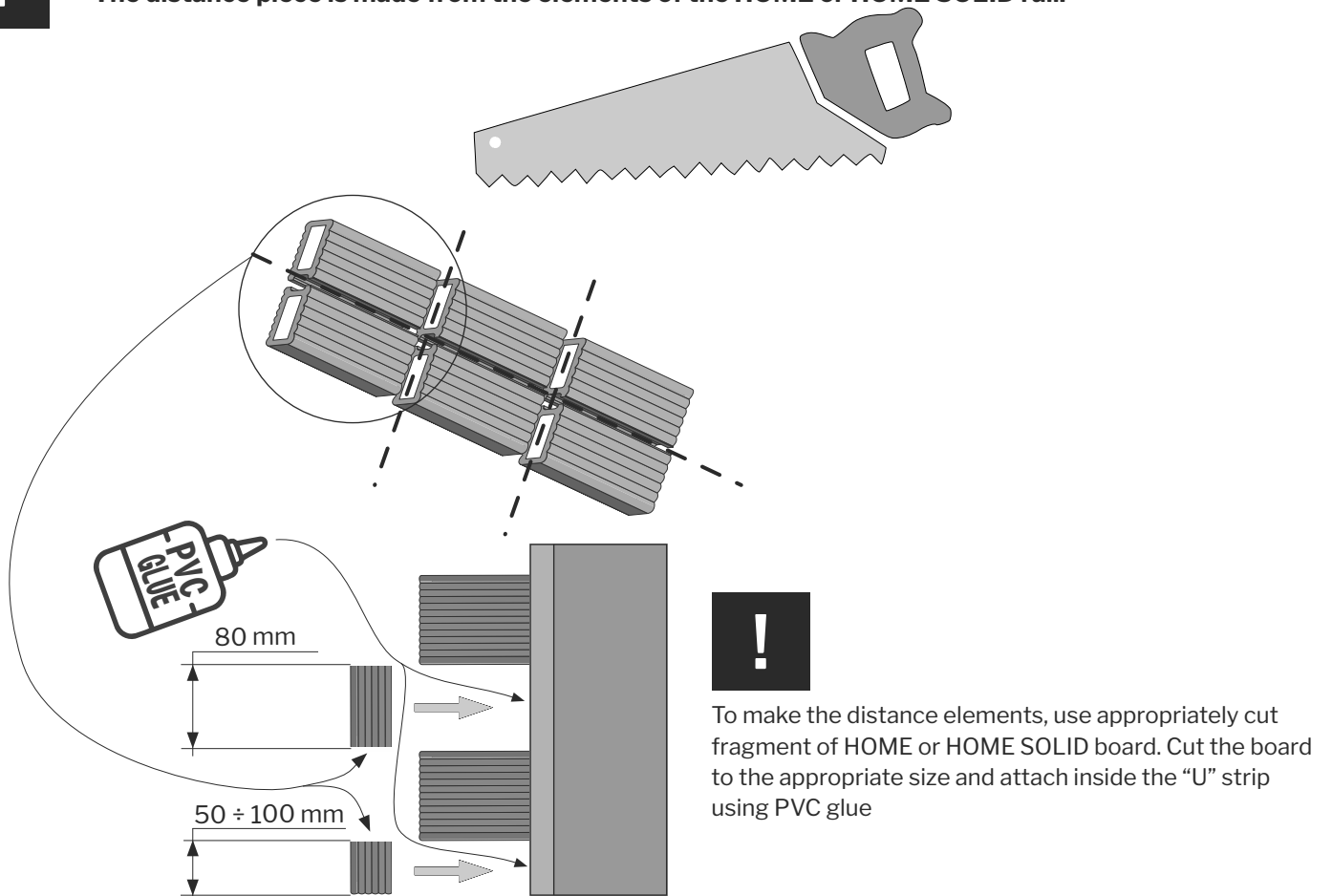


Use the pieces of HOME / HOME SOLID boards as a spacing element.





How to make a distance element for PARKAN HOME / HOME SOLID openwork span. The distance piece is made from the elements of the HOME or HOME SOLID rail.



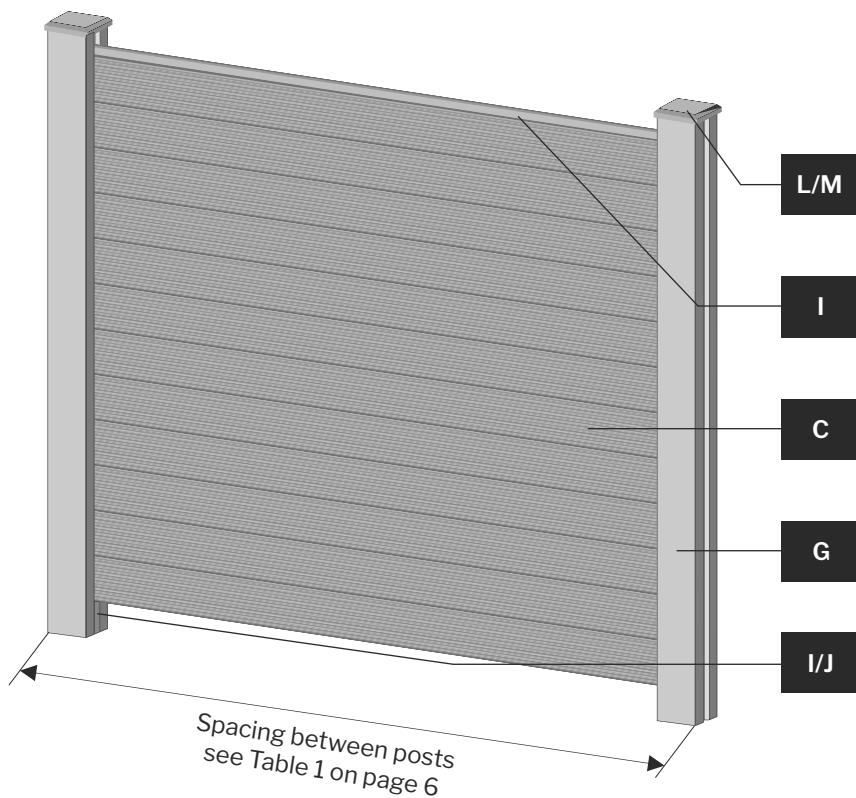
# INSTALLATION OF HARTIKA PARKAN KLASS / LIGNO FENCING SYSTEM

## SOLID SPAN, SYSTEM POSTS.

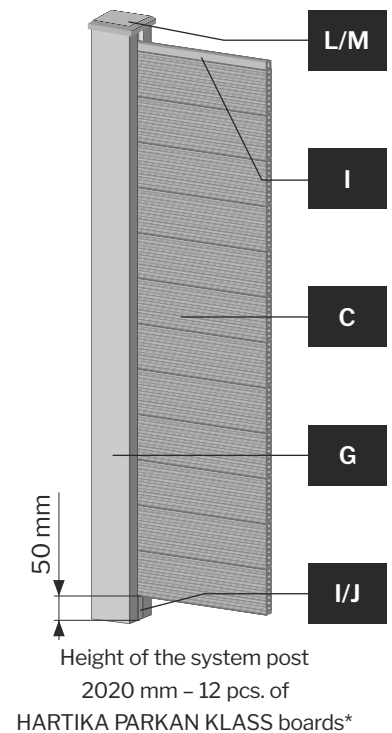
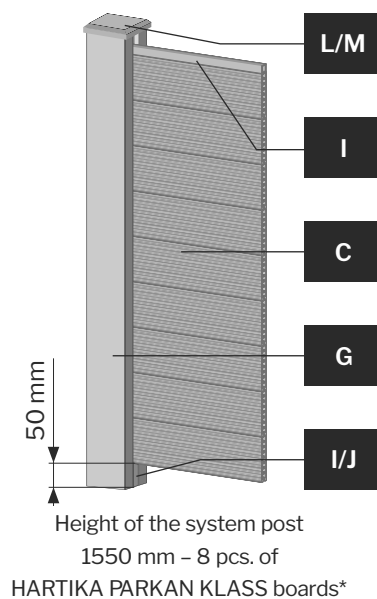
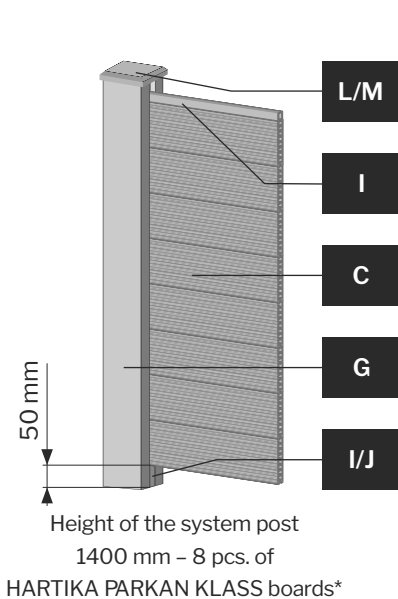
**PARKAN KLASS system span | posts spacing ≤ 2615 mm**

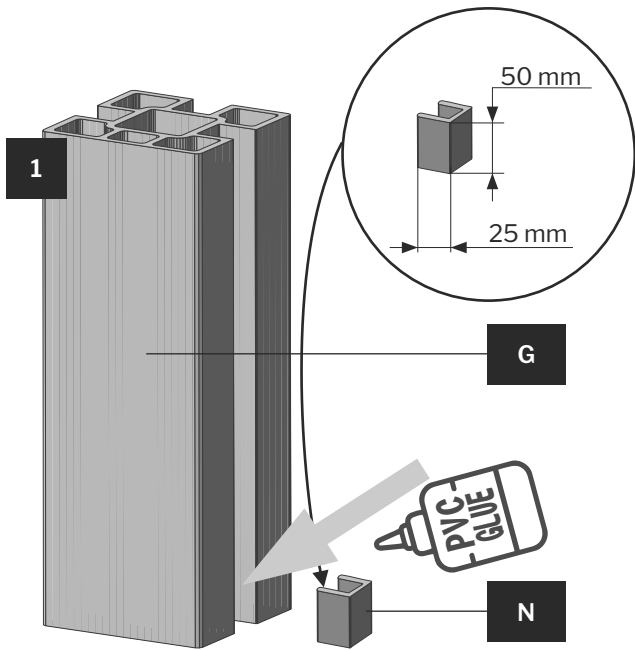
System elements:

1. Hartika PARKAN system post **G**
2. „U”-Strip **I** and (optional) distance and cover strips **J**
3. Hartika PARKAN KLASS fencing boards **C**
4. Post caps **L / M**

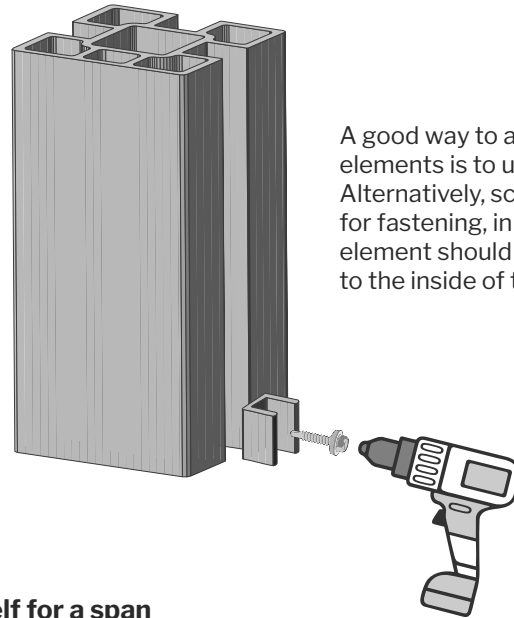


Cut pieces of HOME / HOME SOLID board can be used as a distance element.





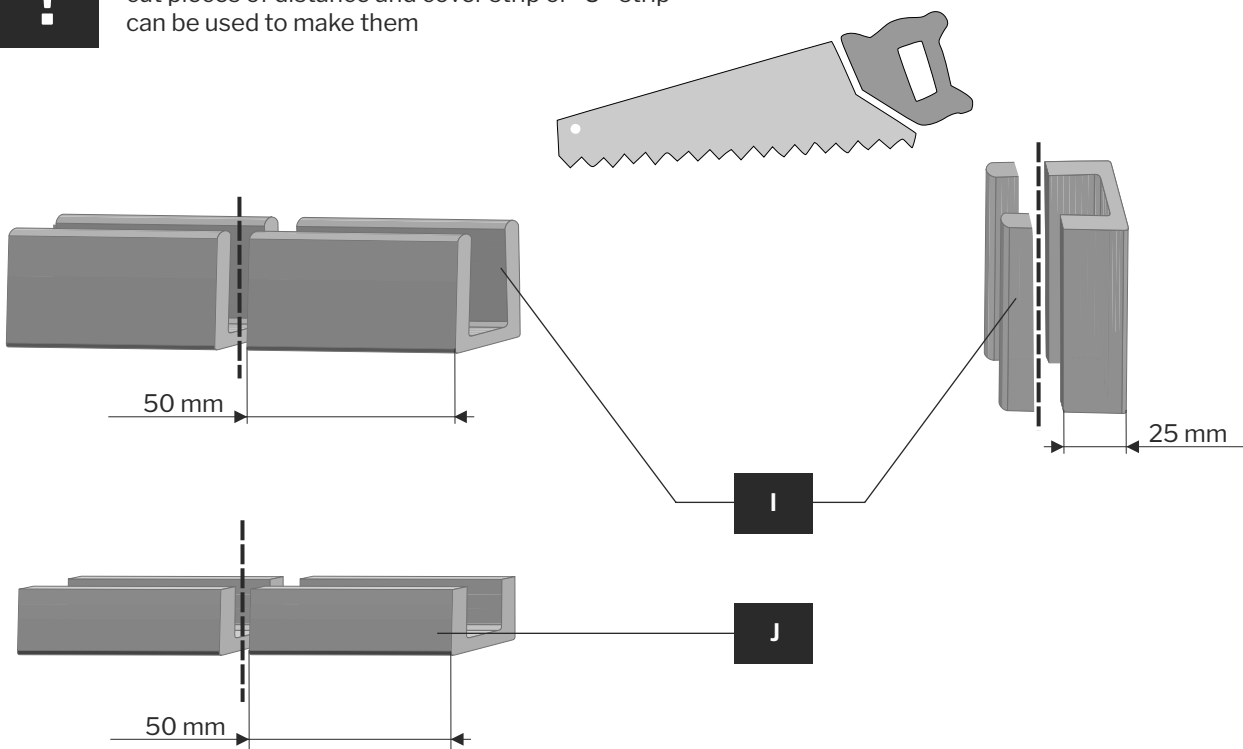
In the slot of the post at its base a distance element with a height of at least 50 mm should be fixed.

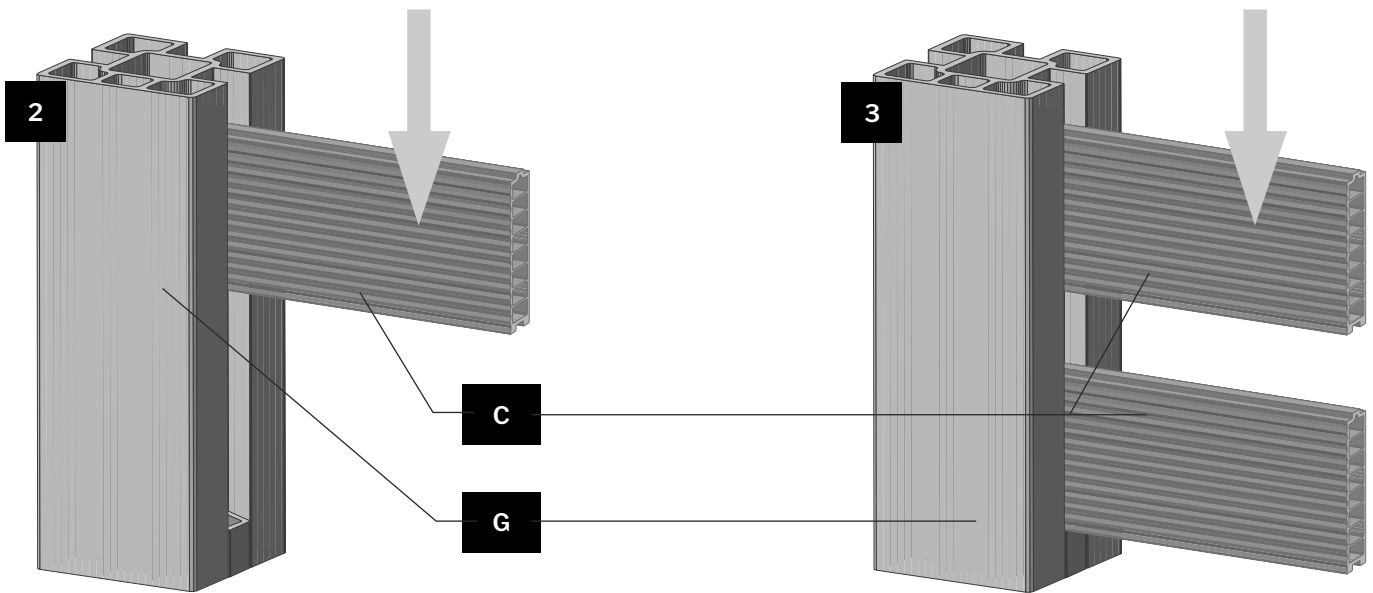


**How to make a distance element yourself for a span made of KLASS, PRO, LIGNO and BASE boards.**



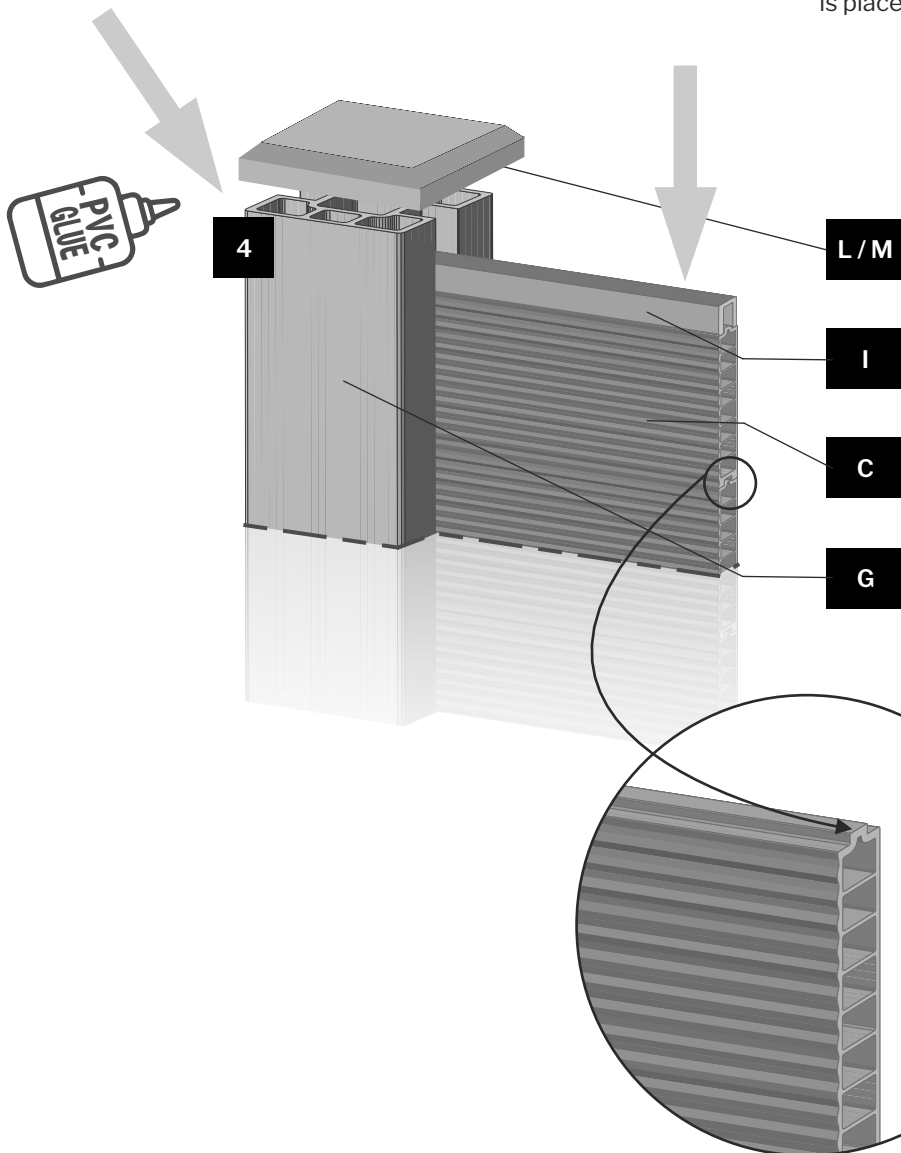
If dedicated distance elements have not been purchased, cut pieces of distance and cover strip or "U"-strip can be used to make them





The board in the tongue-up direction is to be placed in the post gap, so that it sticks to the distance element below.

Place the next boards in such a way that the tongue is placed in the groove of the board above.



Place the "U"-strip on the last board crowning the the span.

Fix the cap on the post using the PVC glue.



When placing the boards in the posts It is necessary to keep the direction of the tongue up.

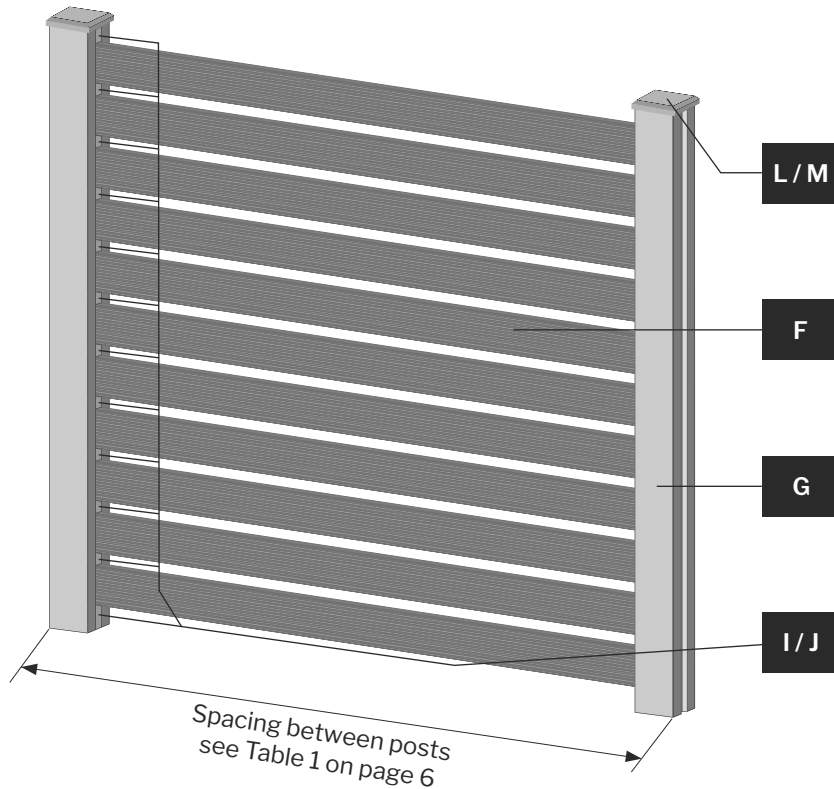


# INSTALLATION OF HARTIKA PARKAN BASE FENCING SYSTEM OPENWORK DESIGN

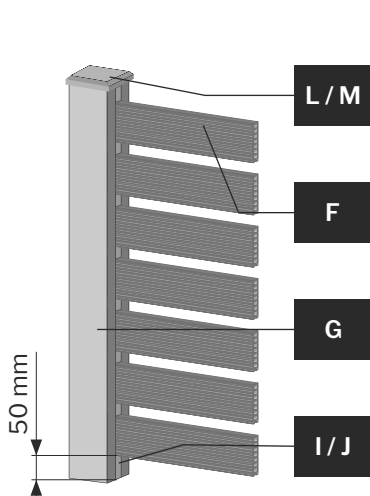
**PARKAN BASE system span | posts spacing  $\leq 2615$  mm**

System elements:

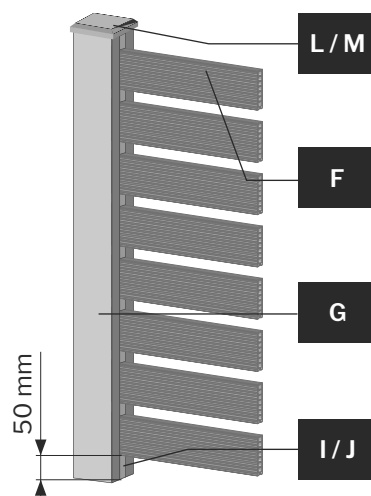
1. Hartika PARKAN system post **G**
2. „U”-Strip **I** and (optional) distance and cover strips **J**
3. Hartika PARKAN BASE fencing boards **F**
4. Post caps **L / M**



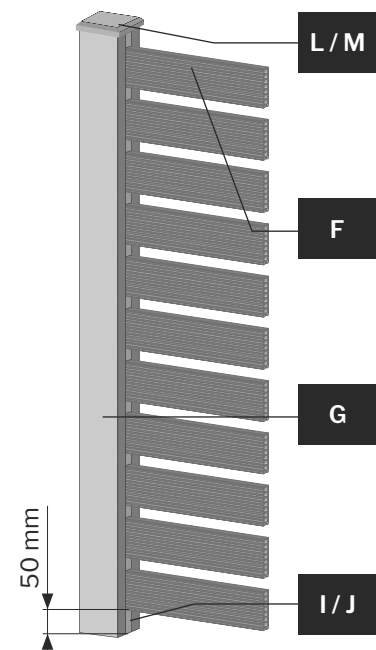
\* The height of the posts depends on the height of the distance elements, namely the distance between the boards



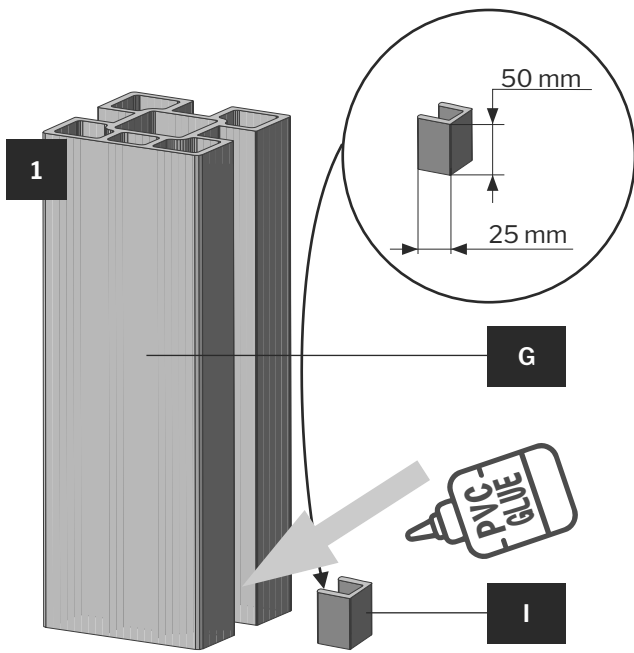
Height of the system post  
1400 mm – 7 pcs. of  
HARTIKA PARKAN BASE boards\*



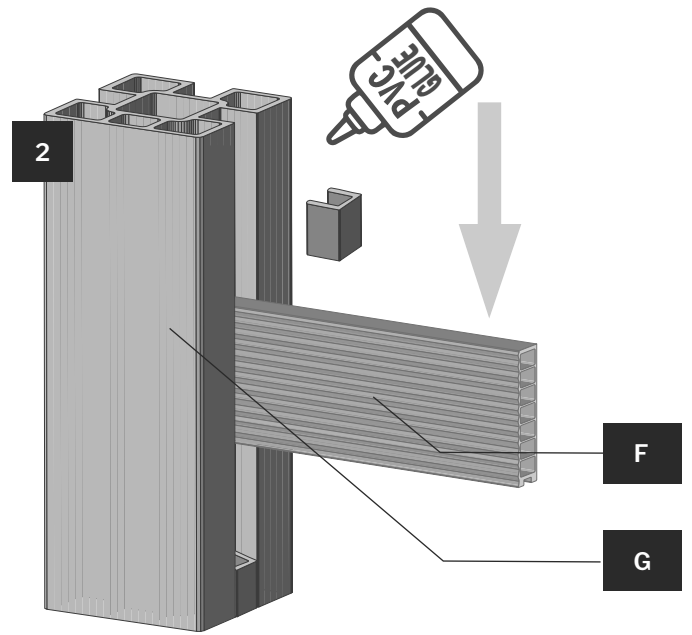
Height of the system post  
1550 mm – 8 pcs. of  
HARTIKA PARKAN BASE boards\*



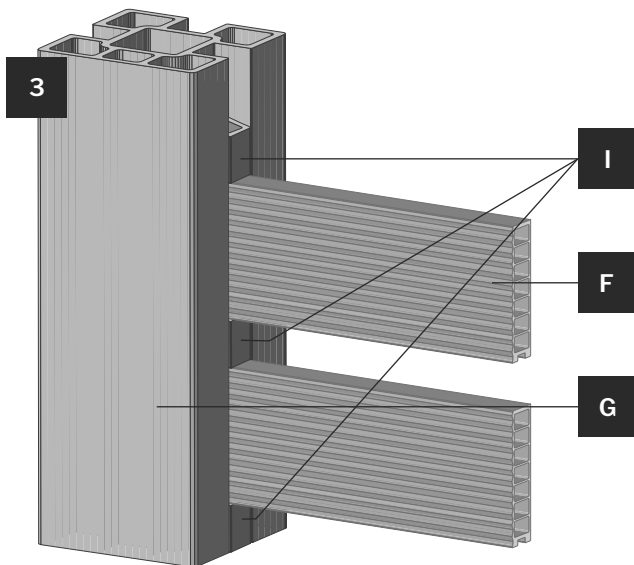
Height of the system post  
2020 mm – 11 pcs. of  
HARTIKA PARKAN BASE boards\*



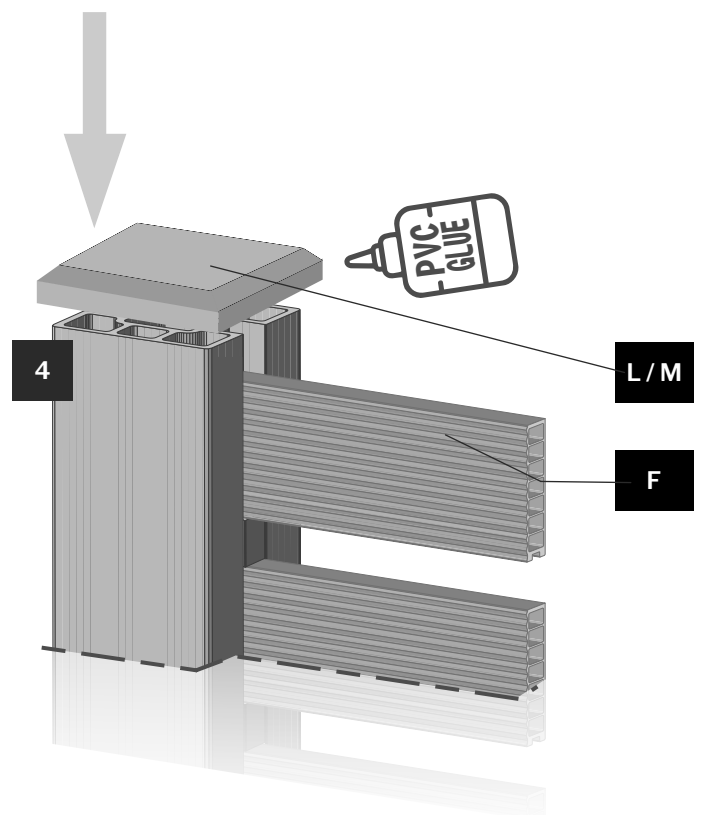
In the slot of the post at its base a distance element with a height of at least 50 mm should be fixed. Tips on how to make and fix the distance elements can be found on page 15 of this manual.



Between the posts, a BASE fencing board in a downward groove direction is to be placed, the board should be supported on the distance element. On the so placed board, another distance element is to be placed.



Repeat the steps placing successive boards and distance elements according to step no. 2 until the span is filled according to the chosen height.

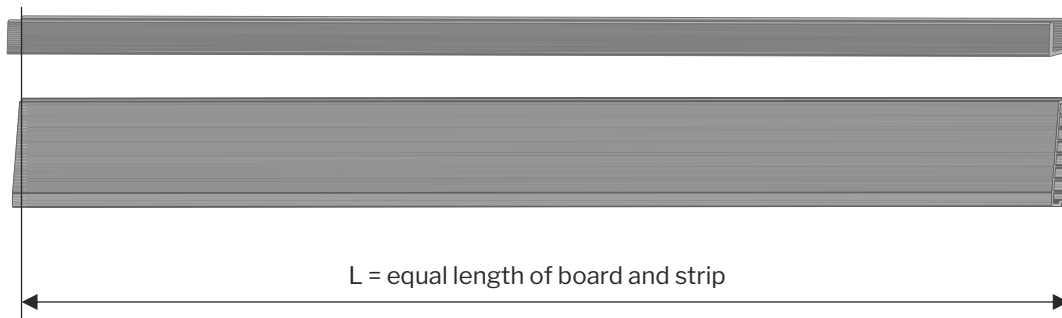


Attach the cap to the post with PVC glue.



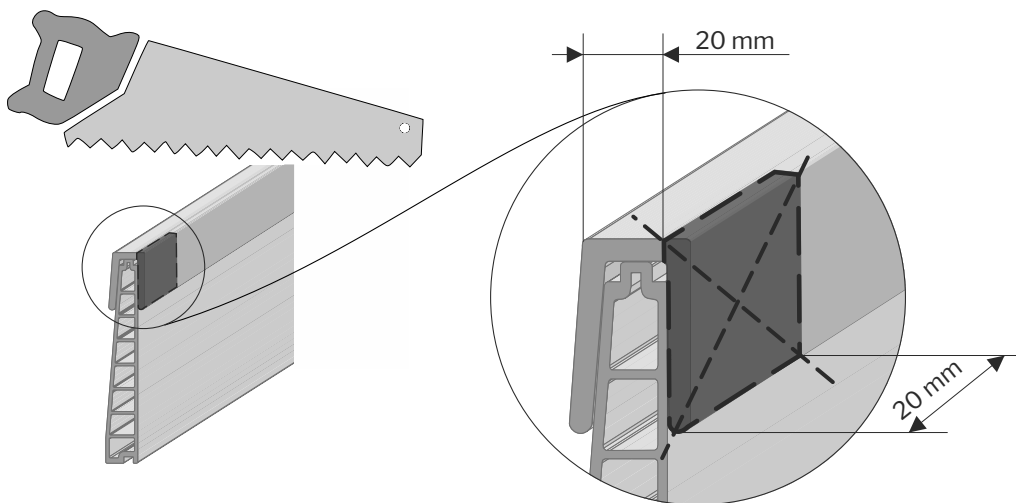
## How to place the “U” strip on the top edge of a PARKAN PRO board correctly?

1. Cut the strip to the length of the span so as to preserve the expansion gap of 5 mm on each side, i.e. the U strip must have a length like the PARKAN PRO fence board.

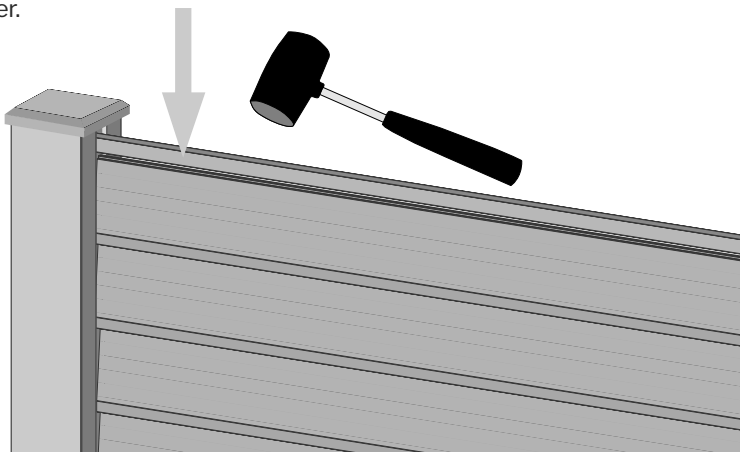


2. Remove, that is, cut out on a length of 20 mm with a handsaw one wall of the "U"-Strip on its opposite ends, so as to maintain the dimension of 25 mm and be able to place the board together with the strip in the system post.

3. The element to be cut out is marked on the drawing.



4. Install the “U”-strip together with the board to the span between the system posts, tapping lightly from above with a rubber hammer.

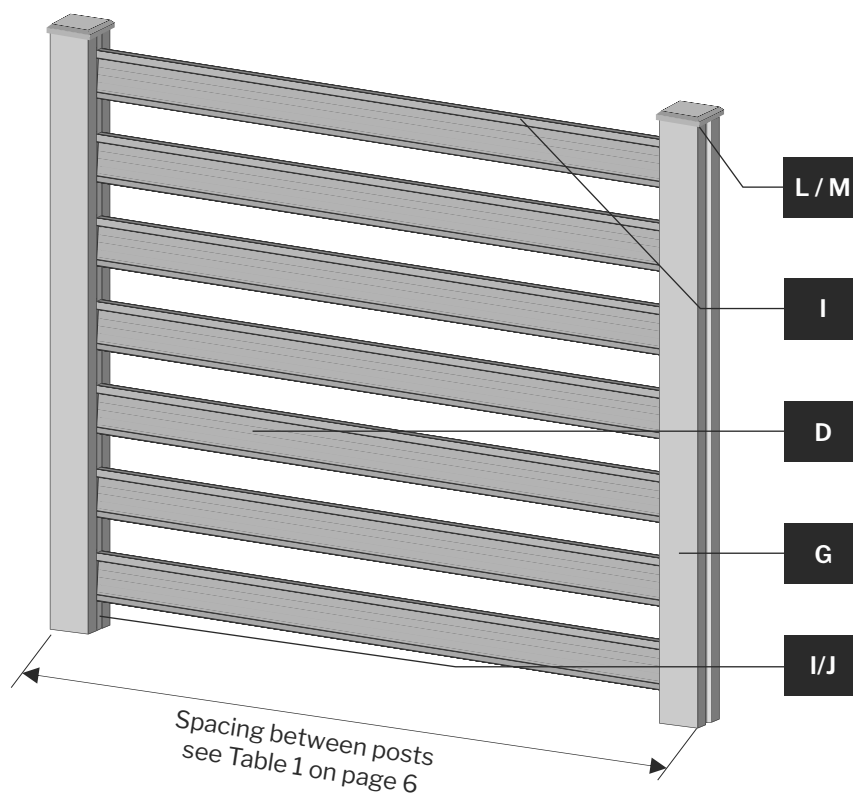


# INSTALLATION OF **HARTIKA PARKAN PRO** FENCING SYSTEM OPENWORK DESIGN

**PARKAN PRO system span | posts spacing  $\leq$  2615 mm**

System elements:

1. Hartika PARKAN system post **G**
2. „U”-Strip **I** and (optional) distance and cover strips **J**
3. Hartika PARKAN BASE fencing boards **D**
4. Post caps **L / M**



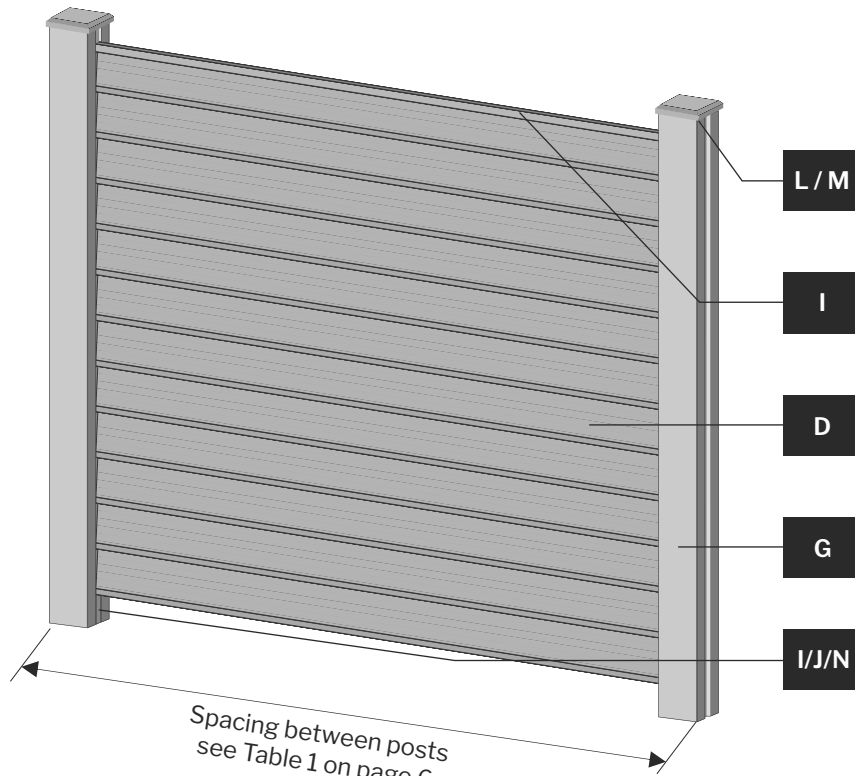
\* The height of the posts depends on the height of the distance elements, namely the distance between the boards

# INSTALLATION OF HARTIKA PARKAN PRO FENCING SYSTEM SOLID SPAN

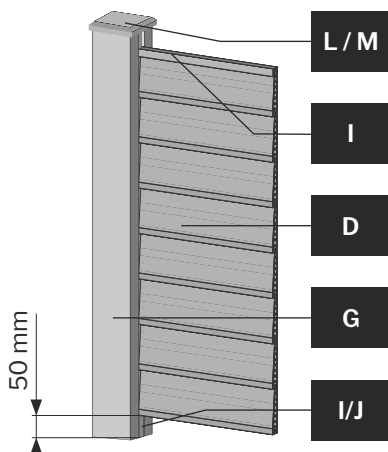
**PARKAN PRO system span | posts spacing  $\leq 2615$  mm**

System elements:

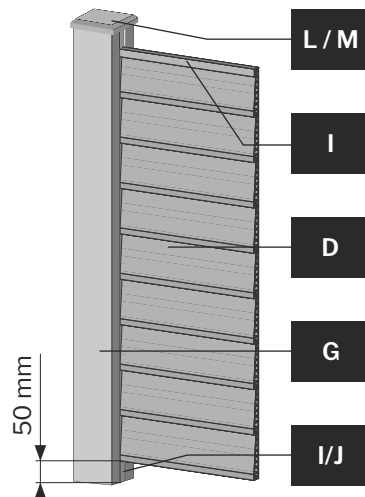
1. Hartika PARKAN system post **G**
2. „U”-Strip **I** and (optional) distance and cover strips **J**
3. Hartika PARKAN PRO fencing boards **D**
4. Post caps **L / M**



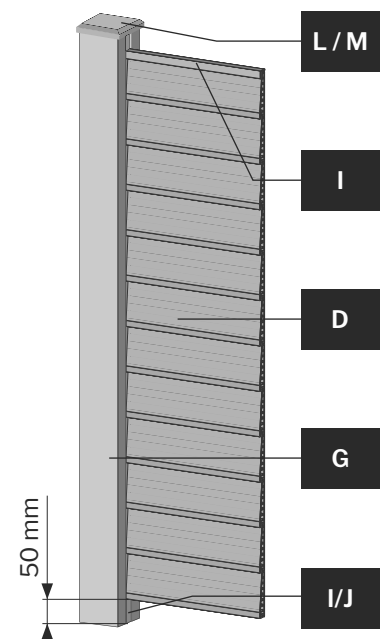
Cut pieces of HOME / HOME SOLID board can be used as a distance element.



Height of the system post  
1400 mm – 8 pcs. of  
HARTIKA PARKAN PRO boards\*

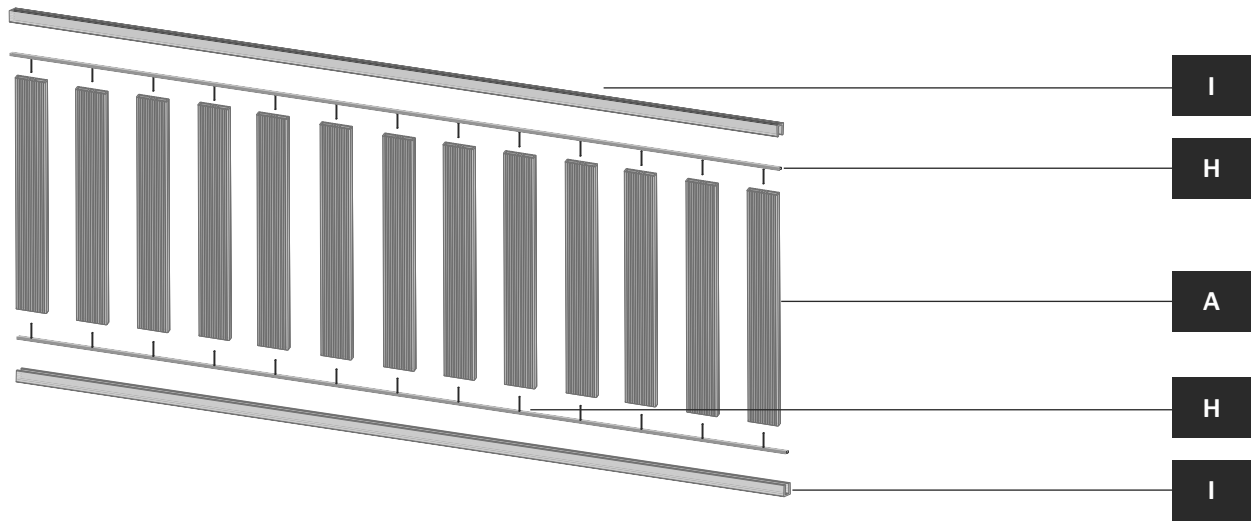


Height of the system post  
1550 mm – 9 pcs. of  
HARTIKA PARKAN PRO boards\*

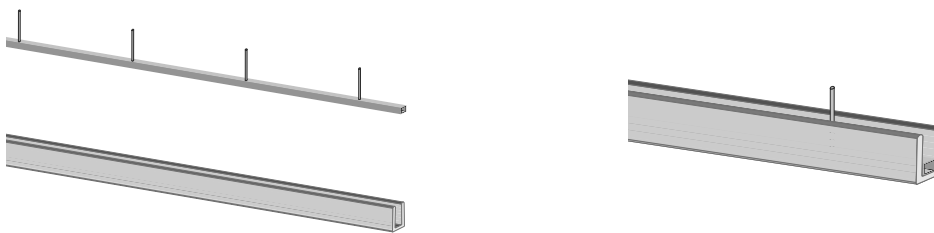


Height of the system post  
2020 mm – 12 pcs. of  
HARTIKA PARKAN PRO boards\*

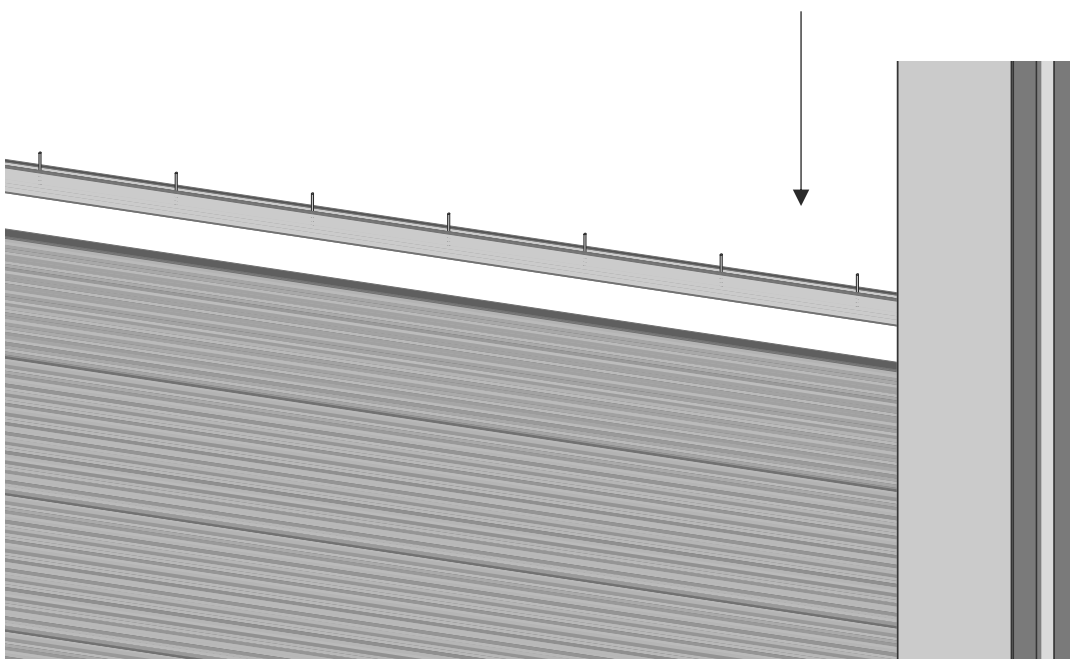
# OPENWORK FILLING OF SYSTEM SPAN



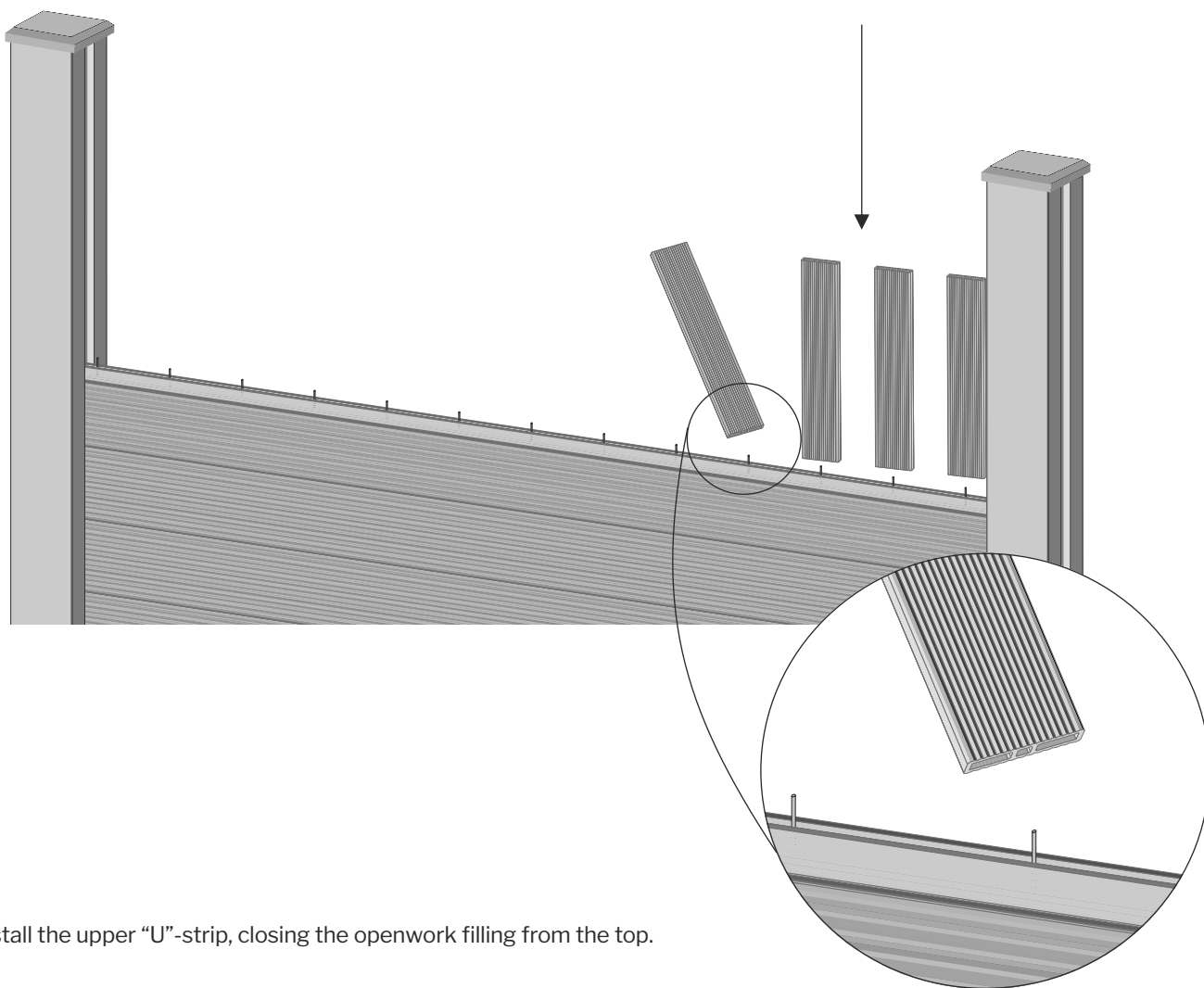
1. In the “U”-strip **I** place a construction strip for openwork filling **H**. It is necessary to make a set of such strips consisting of two sides (top and bottom).



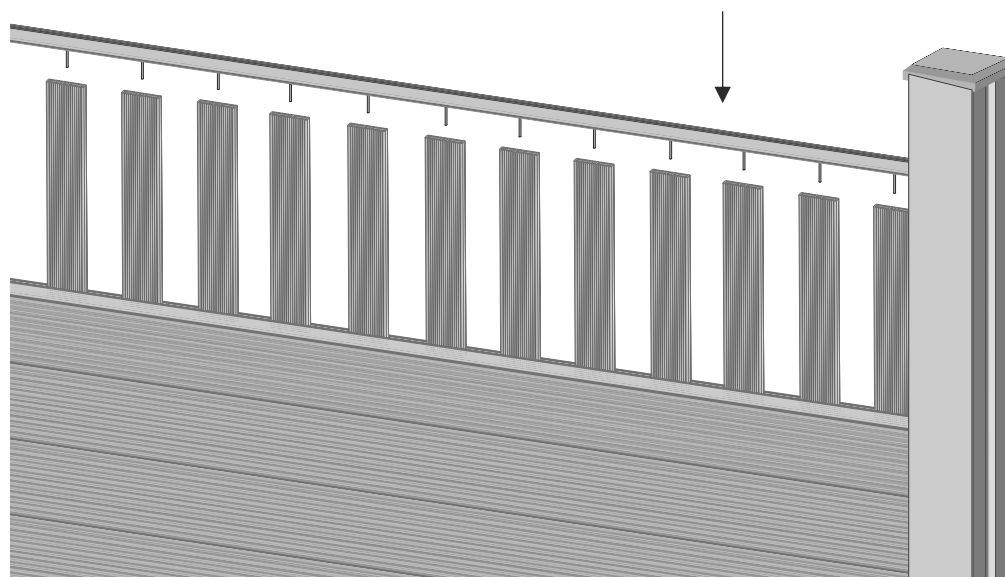
2. Place the lower side (base) of the openwork filling between the posts supporting it on the board. In case the board has a protruding tongue, it can be masked with an additional “U”-strip.



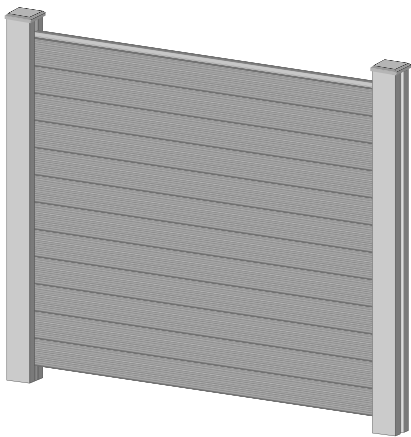
3. Place in the base of the Parkan Home board, in such a way that the pin of the base fits each time in the middle chamber of the board.



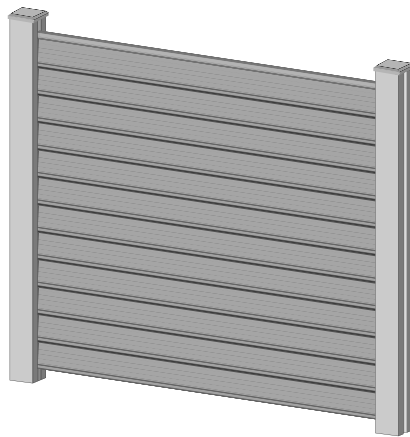
4. Install the upper "U"-strip, closing the openwork filling from the top.



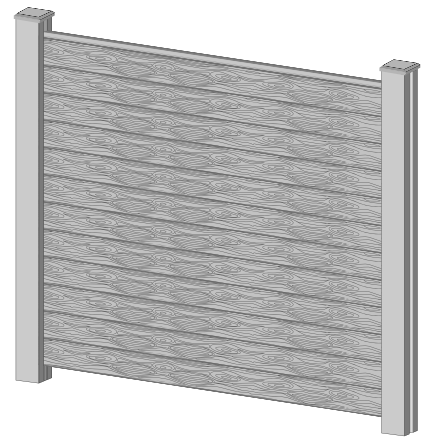
# EXAMPLES OF FENCING PATTERNS IN THE **HARTIKA PARKAN** SYSTEM



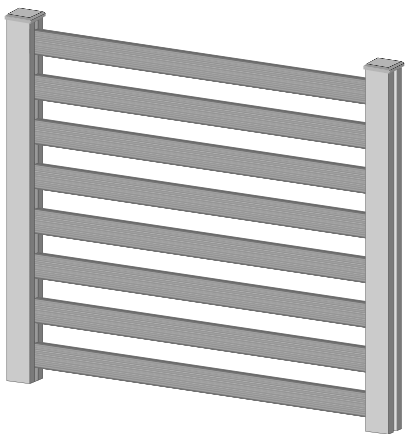
HPP-02-02-06



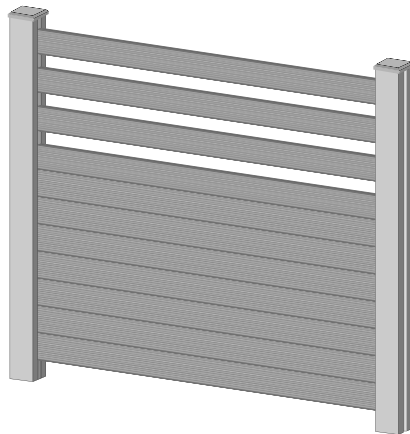
HPP-03-02



HPP-02-02-11



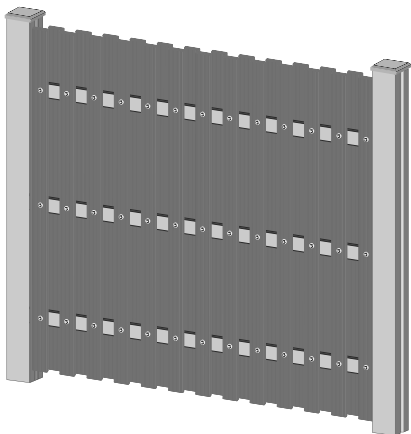
HPP-07-02



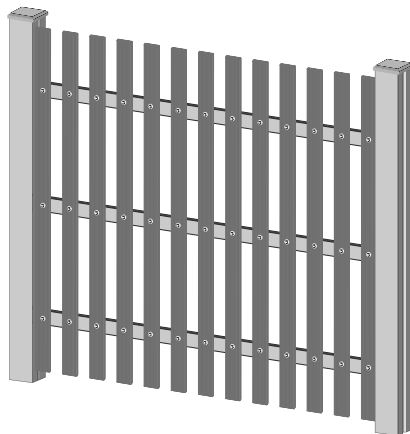
HPP-06-02



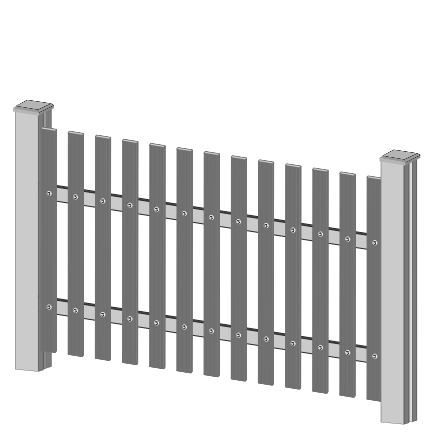
HPP-04-02-11



HPP-08-02



HPP-09-02

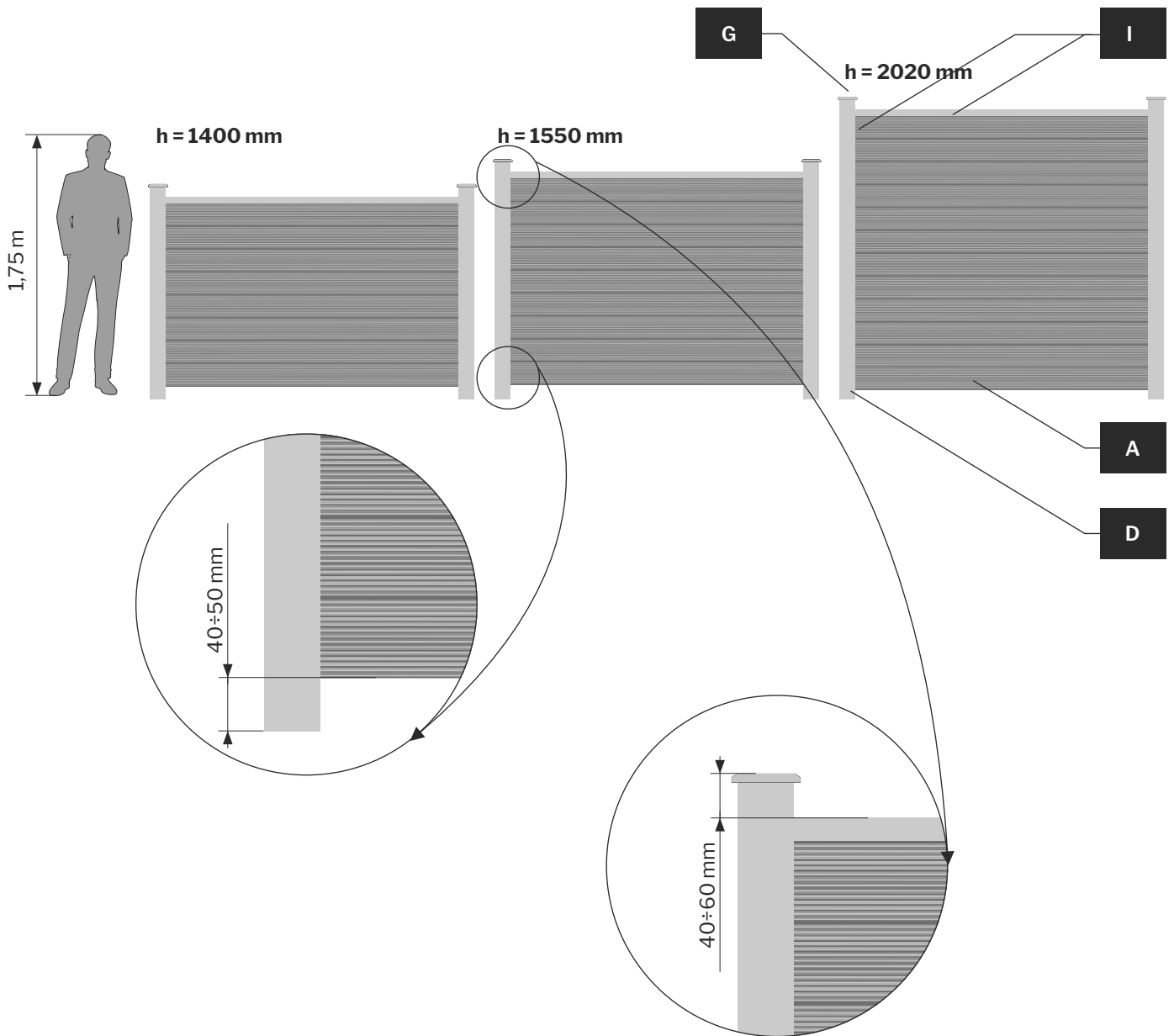


HPP-10-02



**LIST OF INSTALLATION ELEMENTS**  
**PARKAN KLASS, LIGNO, PRO solid span**  
**HPP-02-02-06 / HPP-03-02 / HPP-02-02-11**

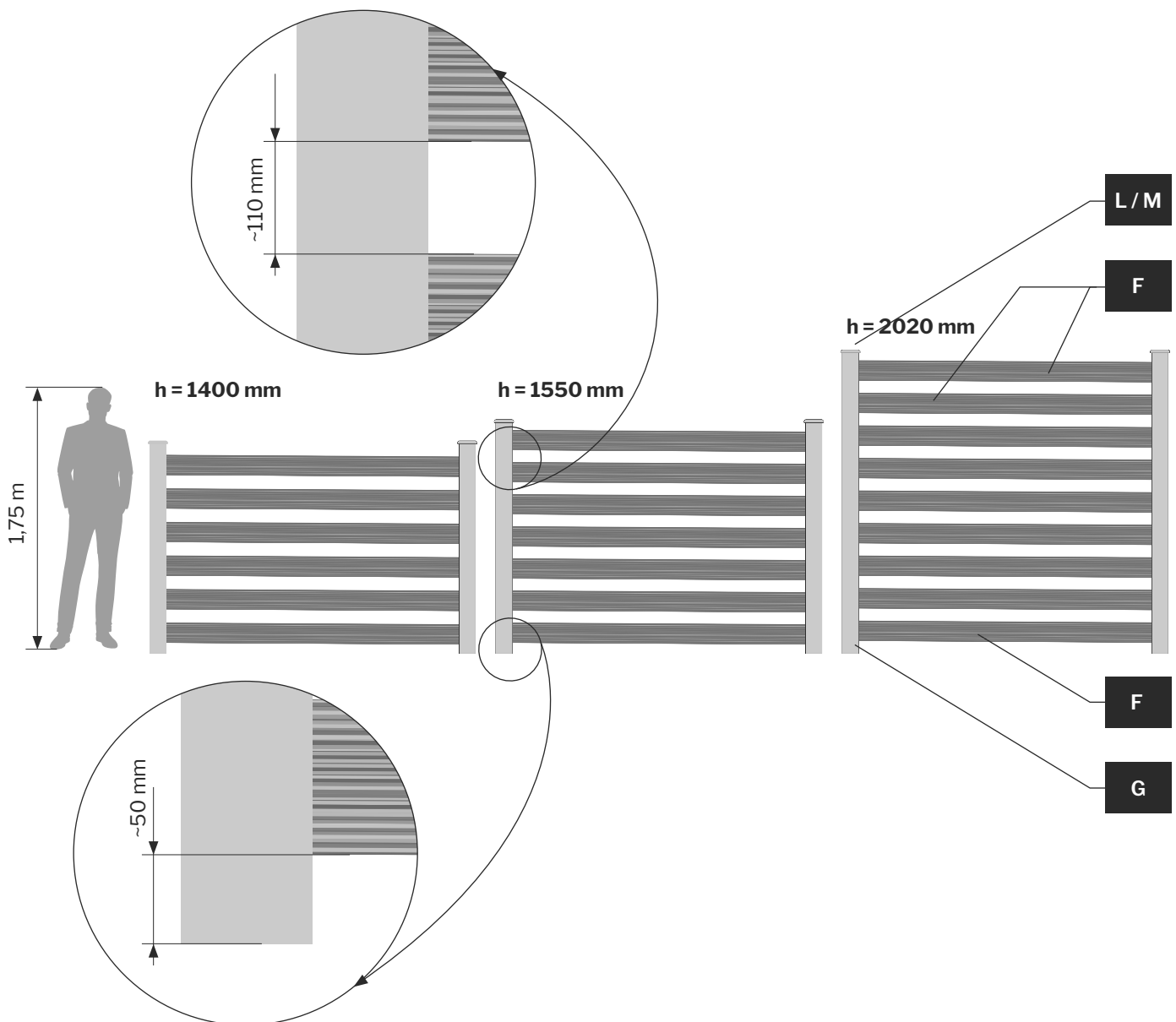
h – HEIGHT OF SYSTEM POST	NUMBER OF ELEMENTS IN A SPAN		
	1400 mm	1550 mm	2020 mm
HARTIKA PARKAN SYSTEM POST <b>G</b>	2	2	2
FENCING BOARD KLAS 2000 mm <b>C</b> / LIGNO <b>E</b> / PRO <b>D</b>	8	9	12
„U“-STRIP 2000 mm <b>I</b>	1	1	1
POST CAP <b>L</b> / <b>M</b>	2	2	2
MOUNTING FOOT <b>K</b> (OPTIONAL)	2	2	2



# CALCULATION OF HARTIKA PARKAN SYSTEM ELEMENTS

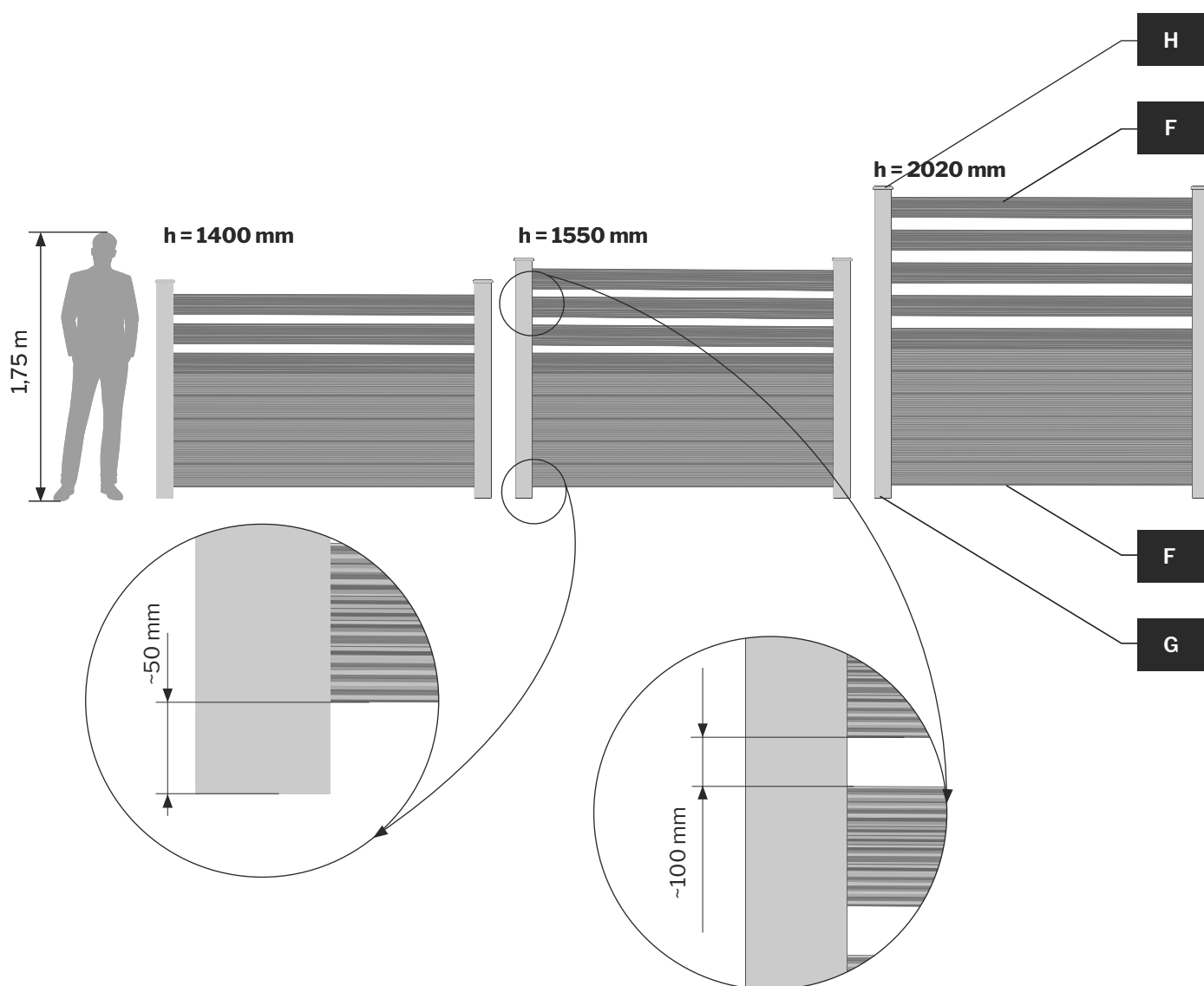
LIST OF INSTALLATION ELEMENTS  
 PARKAN BASE openwork design  
 HPP-07-02

h – HEIGHT OF SYSTEM POST	NUMBER OF ELEMENTS IN A SPAN		
	1400 mm	1550 mm	2020 mm
HARTIKA PARKAN SYSTEM POST <b>G</b>	2	2	2
FENCING BOARD BASE 2000 mm <b>F</b>	6	7	9
POST CAP <b>L / M</b>	2	2	2
MOUNTING FOOT <b>K</b> (OPTIONAL)	2	2	2



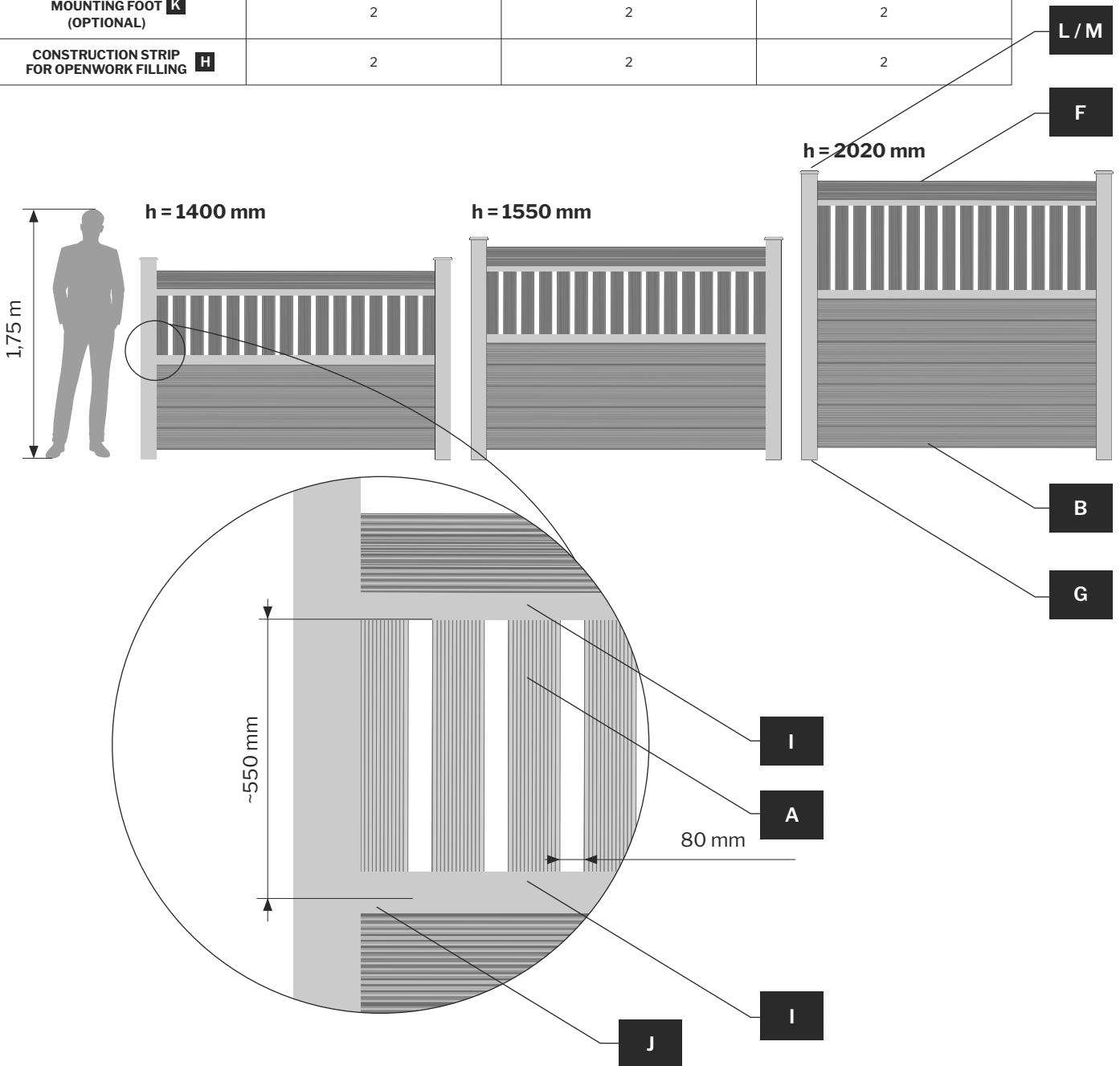
**LIST OF INSTALLATION ELEMENTS**  
**PARKAN KLASS & BASE semi-openwork design**  
**HPP-06-02**

h – HEIGHT OF SYSTEM POST	NUMBER OF ELEMENTS IN A SPAN		
	1400 mm	1550 mm	2020 mm
HARTIKA PARKAN SYSTEM POST <b>G</b>	2	2	2
FENCING BOARD BASE 2000 mm <b>F</b>	3	4	6
FENCING BOARD KLASS 2000 mm <b>C</b>	5	5	5
POST CAP <b>L / M</b>	2	2	2
MOUNTING FOOT <b>K</b> (OPTIONAL)	2	2	2



**LIST OF INSTALLATION ELEMENTS**  
**PARKAN KLASS/BASE & HOME semi-openwork design**  
**HPP-04-02-11**

h – HEIGHT OF SYSTEM POST	NUMBER OF ELEMENTS IN A SPAN		
	1400 mm	1550 mm	2020 mm
HARTIKA PARKAN SYSTEM POST <b>G</b>	2	2	2
FENCING BOARD BASE 2000 mm <b>F</b>	1	1	1
FENCING BOARD KLASS 2000 mm <b>C</b>	4	5	7
FENCING BOARD HOME 1200 mm <b>A</b>	8	8	6 (l. 2000mm)
„U“-STRIP 2000 mm <b>I</b>	2	2	2
DISTANCE AND COVER STRIP <b>J</b>	1	1	1
POST CAP <b>L / M</b>	2	2	2
MOUNTING FOOT (OPTIONAL) <b>K</b>	2	2	2
CONSTRUCTION STRIP FOR OPENWORK FILLING <b>H</b>	2	2	2

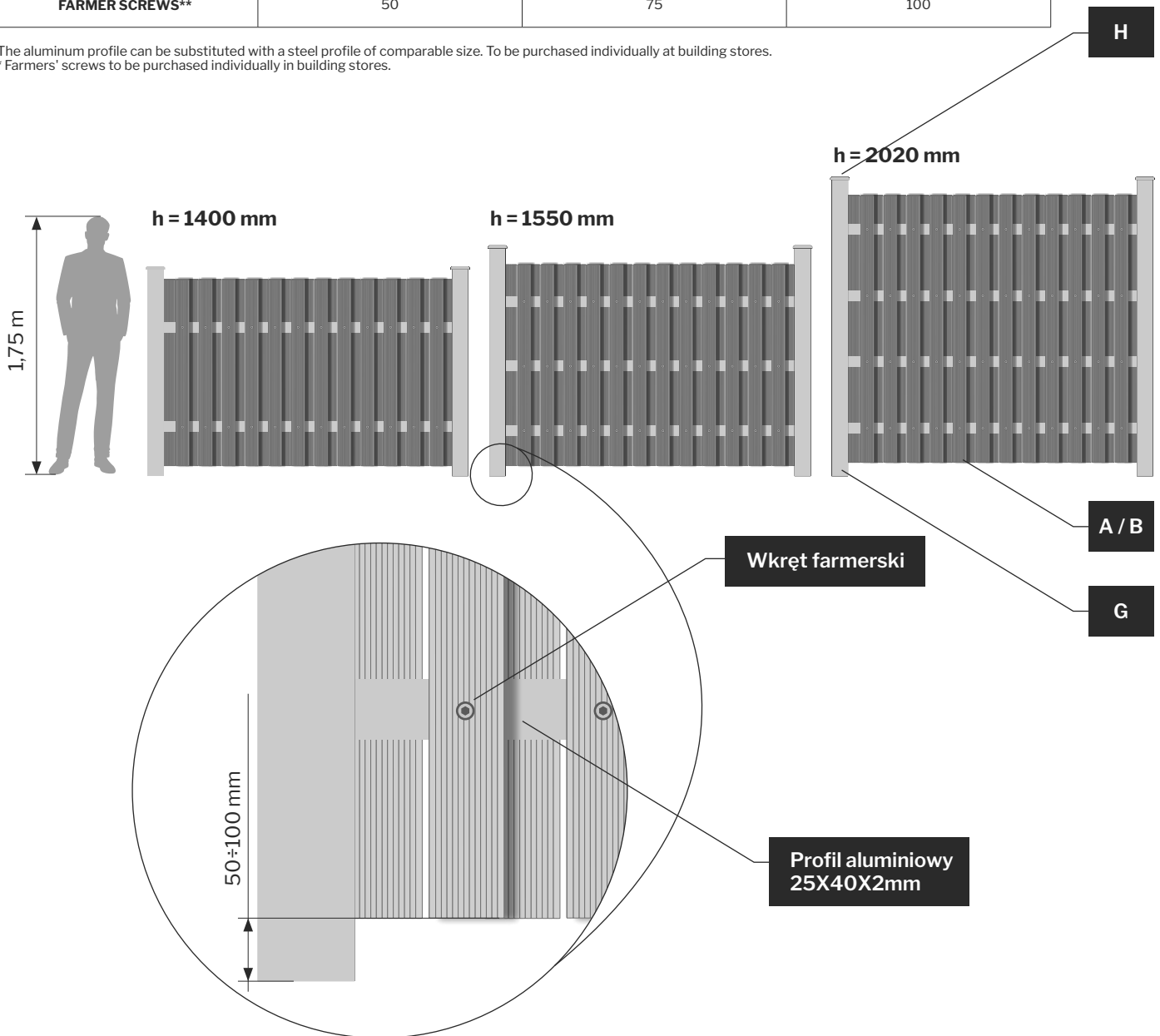


**LIST OF INSTALLATION ELEMENTS**  
**PARKAN HOME terrace / garden screen**  
**HP-08-02**

h – HEIGHT OF SYSTEM POST	NUMBER OF ELEMENTS IN A SPAN		
	1400 mm	1550 mm	2020 mm
HARTIKA PARKAN SYSTEM POST <b>G</b>	2	2	2
FENCING BOARD HOME <b>A</b> OR HOME SOLID <b>B</b>	25 (l. 1300mm - available upon request)	25 (l. 1450mm - available upon request)	25 (l. 2000mm)
ALUMINIUM PROFILE 40X25X2 mm /l. 2000 mm*	2	3	4
POST CAP <b>L / M</b>	2	2	2
MOUNTING FOOT (OPTIONAL) <b>K</b>	2	2	2
DISTANCE AND COVER STRIP <b>J</b>	2	2	2
FARMER SCREWS**	50	75	100

\*The aluminum profile can be substituted with a steel profile of comparable size. To be purchased individually at building stores.

\*\* Farmers' screws to be purchased individually in building stores.

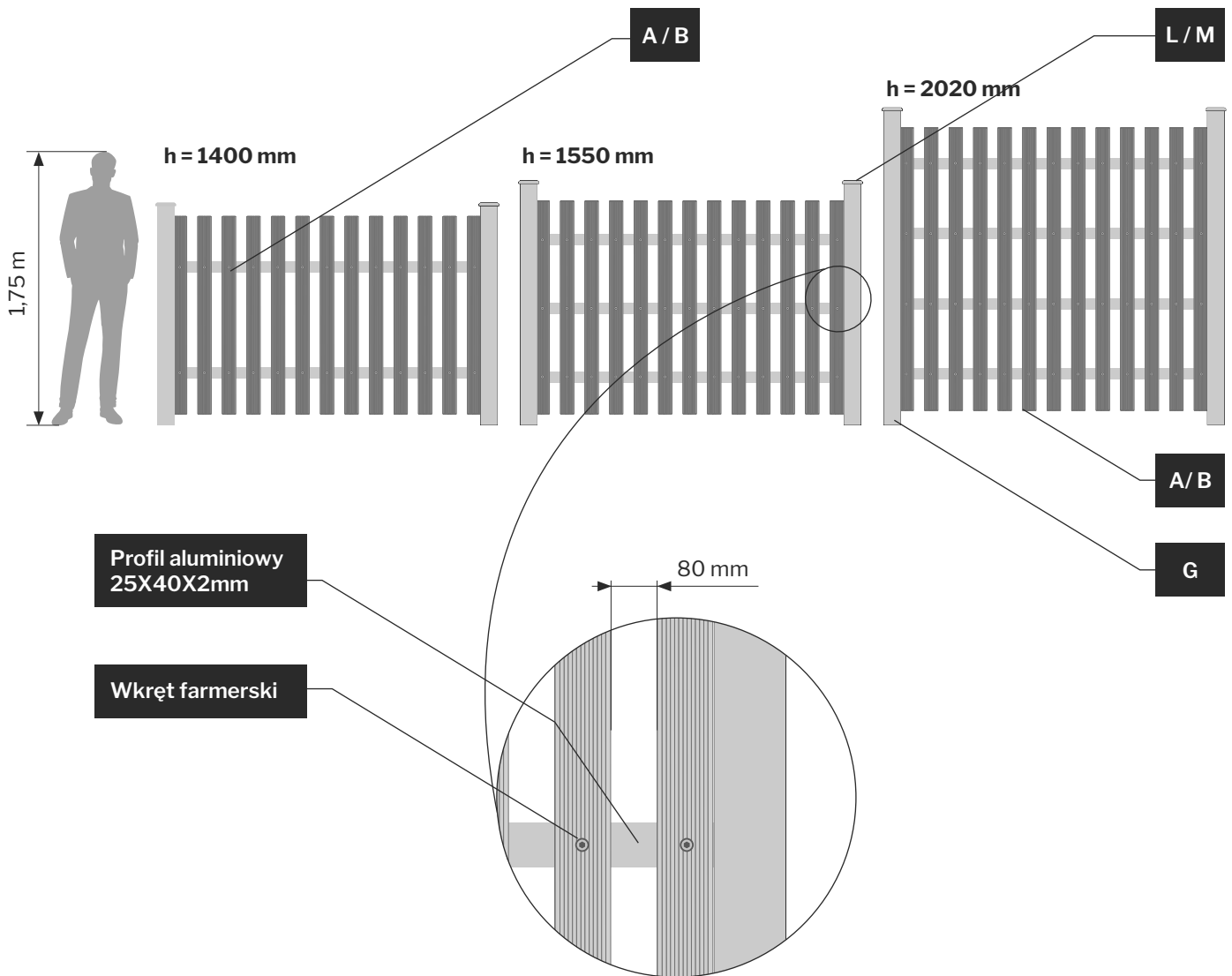


**LIST OF INSTALLATION ELEMENTS**  
**PARKAN HOME rail fence design, post spacing ≤ 2115 mm**  
**HP-09-02 / HP-10-02**

h – HEIGHT OF SYSTEM POST	NUMBER OF ELEMENTS IN A SPAN		
	1400 mm	1550 mm	2020 mm
HARTIKA PARKAN SYSTEM POST <b>G</b>	2	2	2
FENCING BOARD HOME <b>A</b> OR HOME SOLID <b>B</b>	13 (l. 1300mm - available upon request)	13 (l. 1450mm - available upon request)	13 (l. 2000mm)
ALUMINIUM PROFILE 40X25X2 mm / l. 2000 mm*	2	3	4
POST CAP <b>L / M</b>	2	2	2
MOUNTING FOOT <b>K</b> (OPTIONAL)	2	2	2
DISTANCE AND COVER STRIP <b>J</b>	2	2	2
FARMER SCREW**	50	75	100

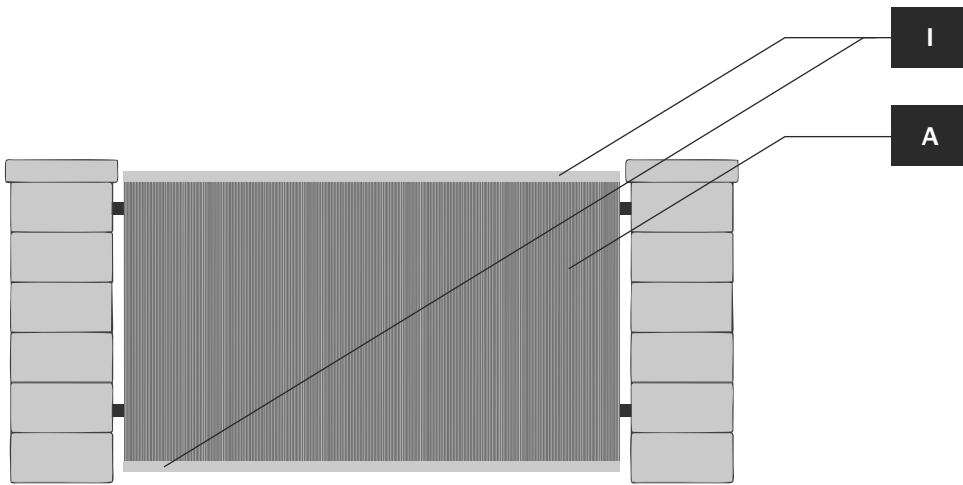
\*The aluminum profile can be substituted with a steel profile of comparable size. To be purchased individually at building stores.

\*\* Farmers' screws to be purchased individually in building stores.

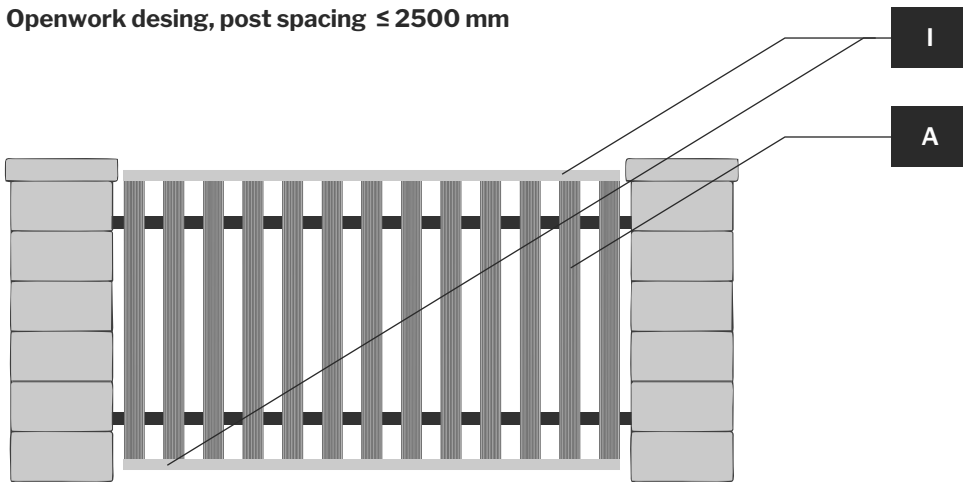


# HARTIKA PARKAN FENCING SPANS ON PREFABRICATED POSTS

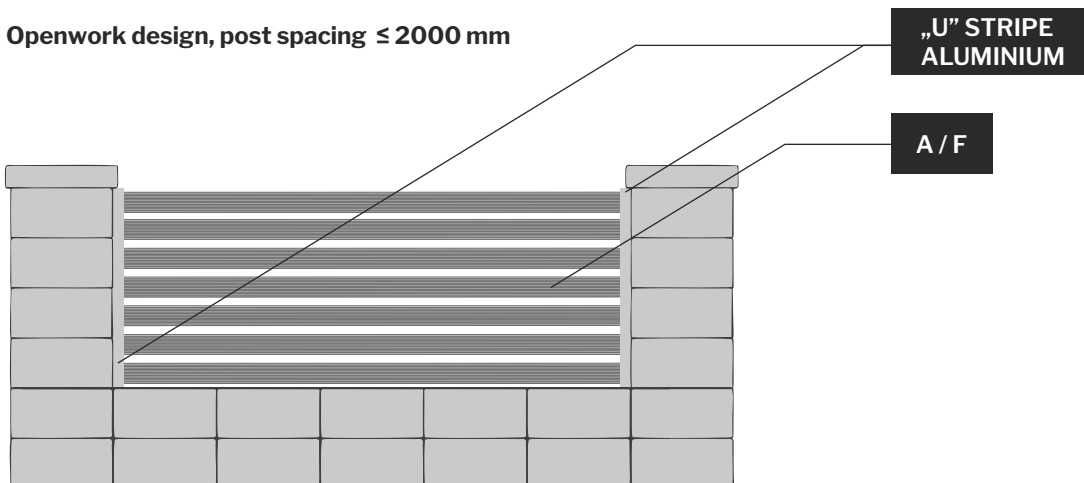
Solid span, post spacing  $\leq 2500$  mm

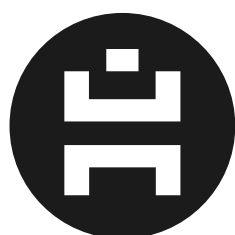


Openwork desing, post spacing  $\leq 2500$  mm



Openwork design, post spacing  $\leq 2000$  mm



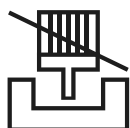


# hartika

wood composite system



**BIOCOMPOSITE  
ENVIRONMENTAL  
PRODUCT**



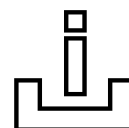
**NO IMPREGNATION  
REQUIRED**



**MANY TIMES  
MORE DURABLE  
THAN WOOD**



**RESISTANT TO  
DIFFICULT WEATHER  
CONDITIONS**



**PROFESSIONAL  
TECHNICAL  
INFORMATION**



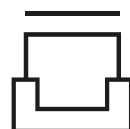
**25  
YEAR GUARANTEE  
AGAINST DECAY,  
ROT AND INSECTS**



**3  
YEAR GUARANTEE  
AGAINST CRACKS  
AND DEFORMATIONS**



**ORIGINAL  
DESIGN**



**COMFORT  
OF USE**



**PROFESSIONAL  
LOGISTICS**



**Hartika Sp. z o.o.**

Biocomposite Production Plant  
ul. Przemysłowa 9 | 19-230 Szczuczyn  
Poland  
Ph.: +48 86 444 20 20  
E-mail: [hartika@hartika.com](mailto:hartika@hartika.com)